

3-Flanged Type

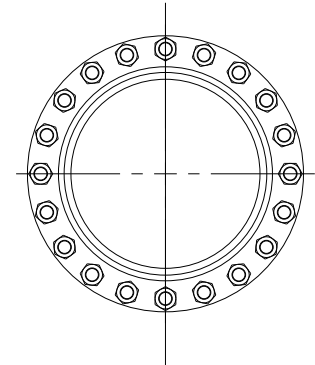
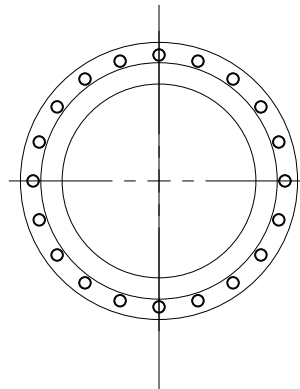
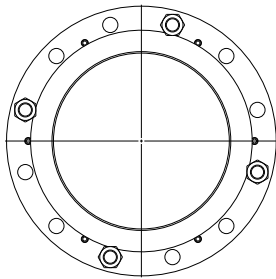
**Art. V01-
/10-25**

4-Flanged Type

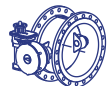
**Art. V02-
/10-25**

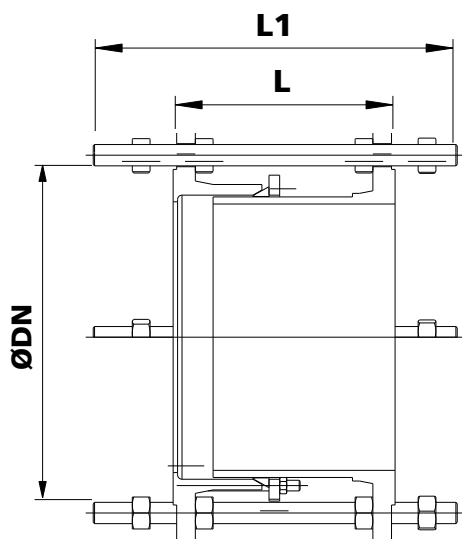
3-Flanged Type

**Art. V03-
/10-25**



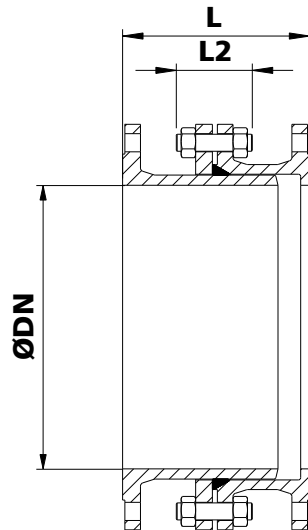
| Description | Material | Standard | BS Standard | DIN Standard | ASTM Standard |
|--------------|--------------|------------------|-------------------|--------------|----------------------|
| Long Body | Ductile Iron | GGG 50 | 2789-73 Gr. 500/7 | 1693 GGG-50 | A536-77 Gr. 65-45-12 |
| Short Body | Ductile Iron | GGG 50 | 2789-73 Gr. 500/7 | 1693 GGG-50 | A536-77 Gr. 65-45-12 |
| Flange | Ductile Iron | GGG 50 | 2789-73 Gr. 500/7 | 1693 GGG-50 | A536-77 Gr. 65-45-12 |
| Sealing Ring | Rubber | EPDM / NBR | - | - | - |
| Studs & Nuts | Steel | 8.8 - Galvanised | - | - | - |





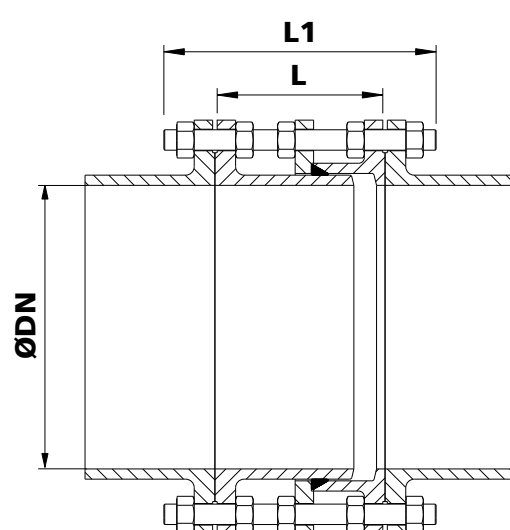
3-Flanged Type

**Art. V01-
/10-25**



4-Flanged Type

**Art. V02-
/10-25**



3-Flanged Type

**Art. V03-
/10-25**

| DN | PN 10-16 | | | PN 25 | | | |
|------|----------|-----|-----|-------|-----|-----|-----|
| | L | L1 | L2 | L | L1 | L2 | L2 |
| 50 | 180 | 280 | 74 | 200 | 310 | 74 | 74 |
| 65 | 180 | 280 | 74 | 200 | 310 | 74 | 74 |
| 80 | 200 | 310 | 74 | 210 | 330 | 74 | 74 |
| 100 | 200 | 310 | 74 | 220 | 340 | 74 | 74 |
| 125 | 200 | 310 | 74 | 220 | 370 | 84 | 84 |
| 150 | 200 | 320 | 80 | 230 | 370 | 86 | 86 |
| 200 | 220 | 340 | 82 | 230 | 370 | 90 | 90 |
| 250 | 230 | 370 | 92 | 250 | 410 | 103 | 103 |
| 300 | 250 | 410 | 97 | 250 | 410 | 109 | 109 |
| 350 | 260 | 410 | 101 | 270 | 440 | 118 | 118 |
| 400 | 270 | 430 | 110 | 280 | 480 | 126 | 126 |
| 450 | 270 | 430 | 114 | 280 | 480 | 131 | 131 |
| 500 | 280 | 440 | 121 | 300 | 480 | 135 | 135 |
| 600 | 300 | 480 | 134 | 320 | 520 | 154 | 154 |
| 700 | 300 | 480 | 141 | 340 | 530 | 165 | 165 |
| 800 | 320 | 520 | 154 | 360 | 600 | 184 | 184 |
| 900 | 320 | 520 | 161 | 380 | 600 | 193 | 193 |
| 1000 | 340 | 560 | 172 | 400 | 650 | 214 | 214 |
| 1100 | 340 | 560 | 180 | 420 | 672 | 223 | 223 |
| 1200 | 360 | 600 | 200 | 450 | 720 | 232 | 232 |
| 1400 | 380 | 630 | 205 | 480 | 770 | 254 | 254 |
| 1600 | 400 | 665 | 225 | 510 | 815 | 268 | 268 |
| 1800 | 420 | 700 | 250 | 540 | 865 | 270 | 270 |
| 2000 | 440 | 730 | 260 | 580 | 930 | 270 | 270 |