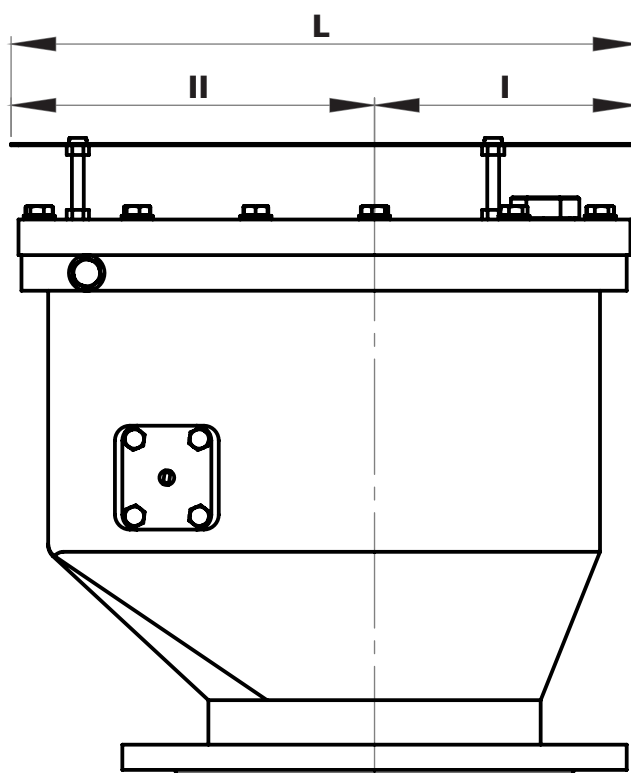
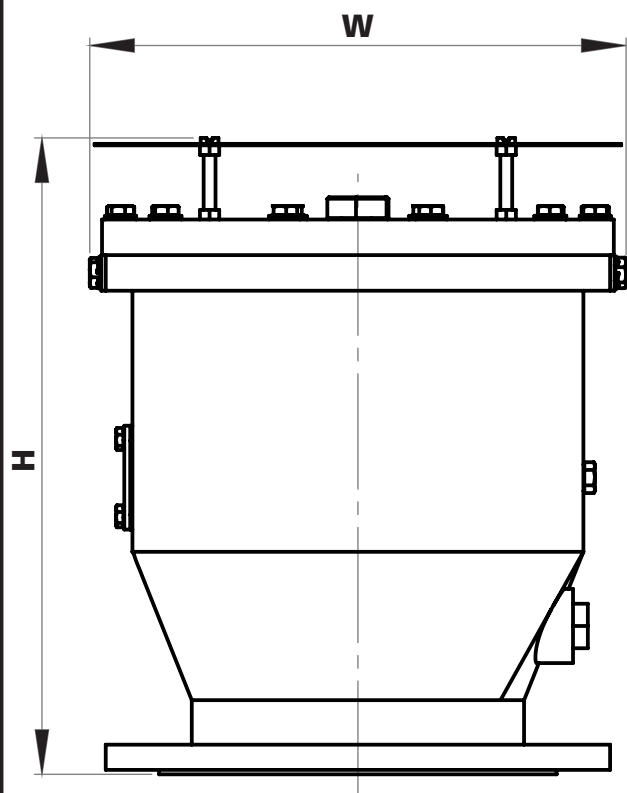


No	Description	Material	Standard
1	Float	Polyethylene	-
2	Hinge	Stainless Steel	304 SS / 316 SS
3	Float Hinge	Stainless Steel	304 SS / 316 SS
4	Body	Ductile Iron	GGG 50
5	Orifice Plate	Polyethylene	
6	Orifice Plate Hinge	Polyethylene	
7	Orifice Plate Pin	Stainless Steel	A2 / A4
8	Orifice Plate	Plain Carbon Steel	St 37
9	Filter	Bronze	
10	Top Cover	Stainless Steel	304 SS / 316 SS
11	Tap	Brass	
12	Orifice Plate Seal	Rubber	EPDM / NBR
13	Bolt	Stainless Steel	A2 / A4
14	Washer	Stainless Steel	A2 / A4
15	Top Cover Bolts	Stainless Steel	A2 / A4
16	Tap	Brass	
17	Orifice Cock	Ceramic	
18	Tap	Brass	
19	Cover Ring	Rubber	EPDM / NBR
20	Bolt	Stainless Steel	A2 / A4



DN	L	W	H	I	II	PN 10 - 16 (kg)	PN 25 (kg)
50	260	220	300	125	135	29	33
65	260	220	300	125	135	30	34
80	260	220	300	125	135	30	34
100	260	220	280	125	135	26	30
150	350	300	370	160	190	45	52
200	420	360	450	170	250	65	75
250	530	450	560	210	320	115	132
300	630	540	670	250	380	160	184
350	740	630	790	300	440	350	410
400	840	720	900	340	500	530	630
500	1045	900	1125	420	625	1050	1250