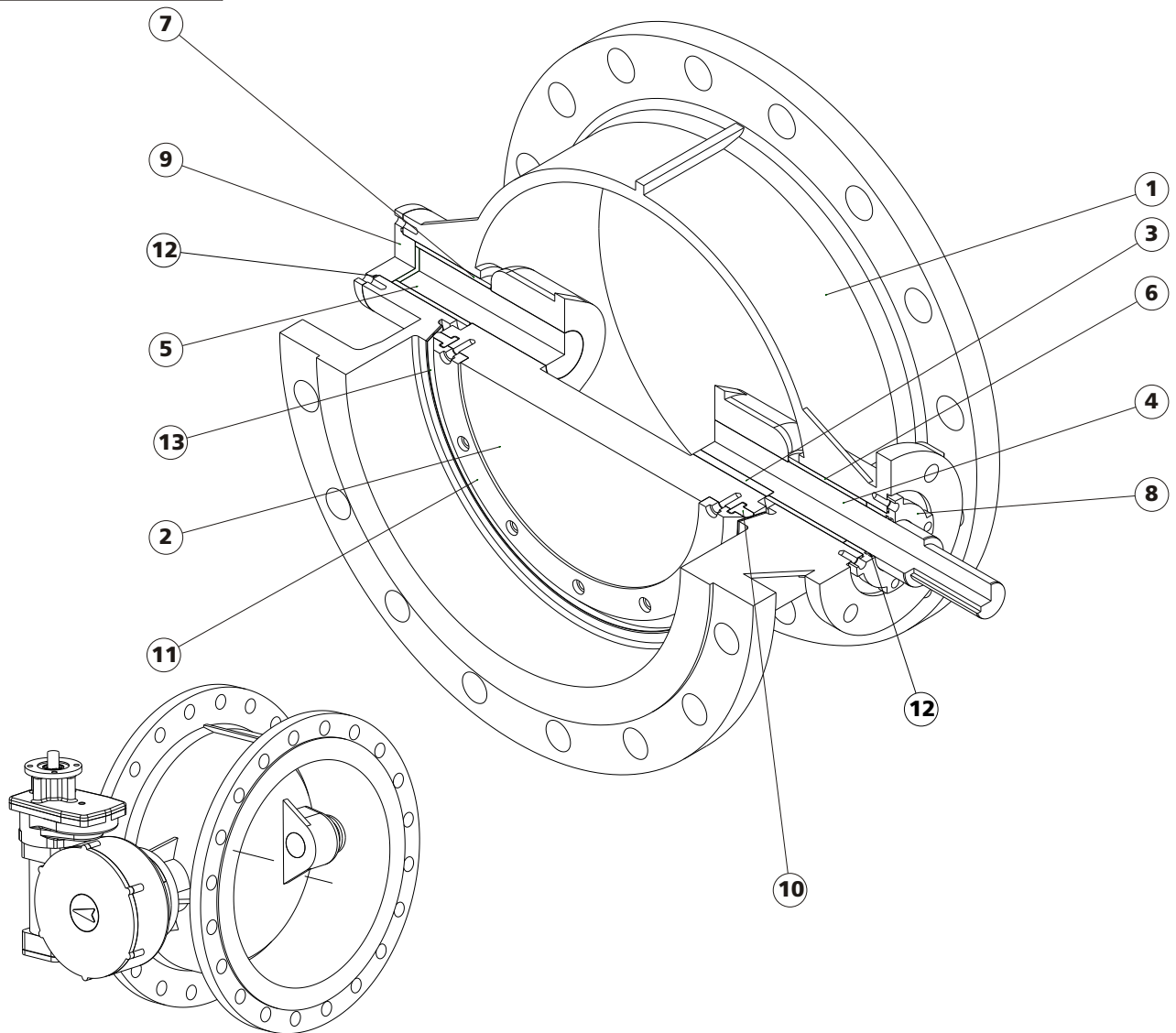




Double-Eccentric Butterfly Valves With Gearbox - AWWA C504 / PN 16

Art. B01-
/10-40



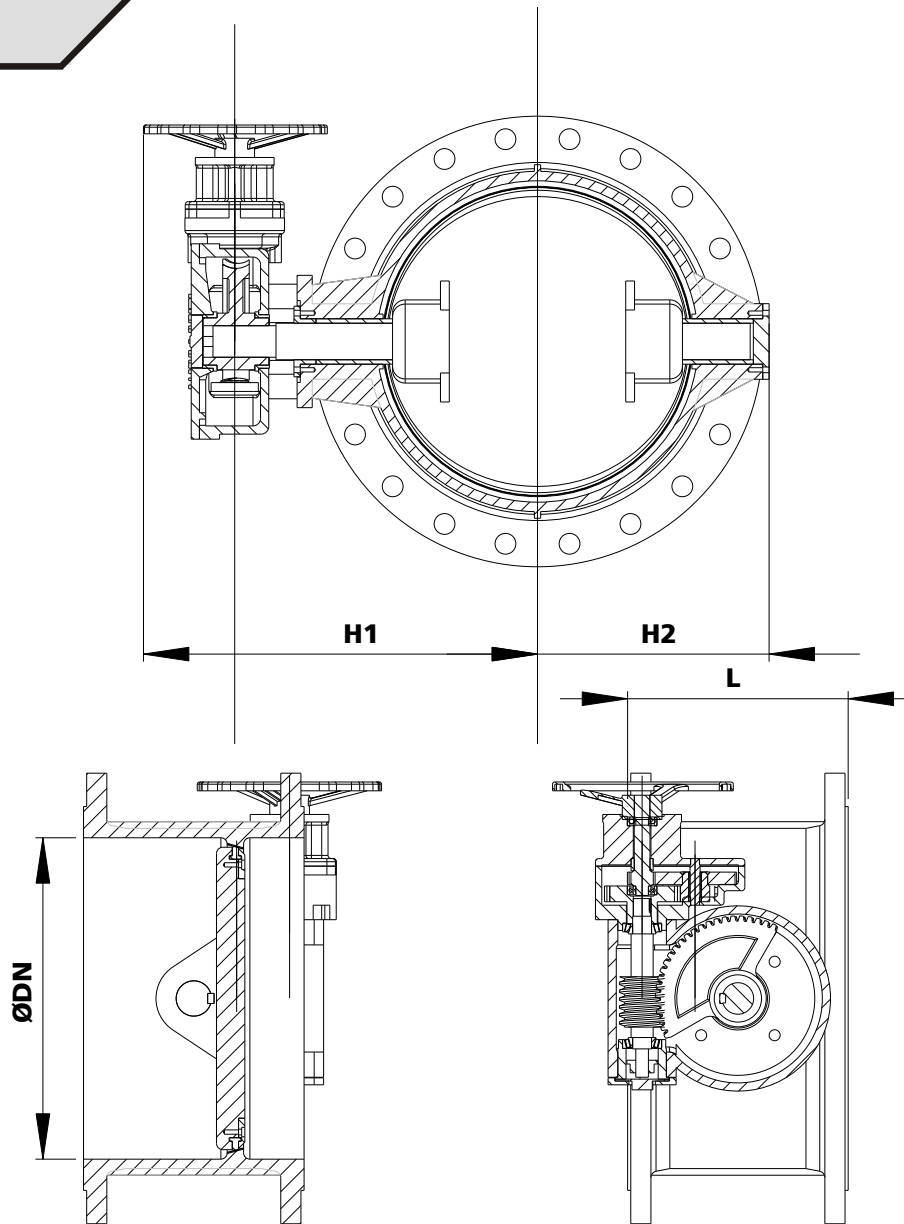
No.	Description	Material		Standard
1	Body	Ductile Iron	GGG 50	ASTM A536 Gr. 65-45-12
2	Disc	Ductile Iron	GGG 50	ASTM A536 Gr. 65-45-12
3	Key on Disc	Stainless Steel	316SS	ASTM A276 Type 316
4	Upper Shaft	Stainless Steel	316 SS	ASTM A276 Type 316
5	Lower Shaft	Stainless Steel	316 SS	ASTM A276 Type 316
6	Long Bearing	Bronze	Rg5	ASTM 1705 G-CuSn52nPb
7	Short Bearing	Bronze	Rg5	ASTM 1705 G-CuSn52nPb
8	Shaft Cover	Cast Iron	GG 25	ASTM A48-76 40B
9	Blind Cover	Cast Iron	GG 25	ASTM A48-76 40B
10	Sealing Ring	Rubber	EPDM	
11	Retainer	Stainless Steel	316 SS	ASTM A276 Type 316
		Stainless Steel	304 SS	ASTM A276 Type 304
12	Cover O-Ring	Rubber	EPDM	
13	Body Seat	Stainless Steel	316 SS	ASTM A276 Type 316
		Stainless Steel	304 SS	18-8 (equal to AISI 304 SS)





Double-Eccentric Butterfly Valves With Gearbox - AWWA C504 / PN 16

Art. B01-
/10-40



DN	AWWA Length mm	DIN 3202 F-4 (PN16) Length mm	H1	H2
80	127	180	220	105
100	127	190	231	115
150	127	210	267	148
200	152	230	297	175
250	203	250	367	203
300	203	270	395	228
350	203	290	438	258
400	203	310	471	288
450	203	330	528	313
500	203	350	560	340
600	203	390	619	395
700	305	430	697	453
800	305	470	763	513
900	305	510	833	563
1000	305	550	897	620
1200	381	630	1060	733
1400	381	710	1181	843
1600	457	790	1425	963

