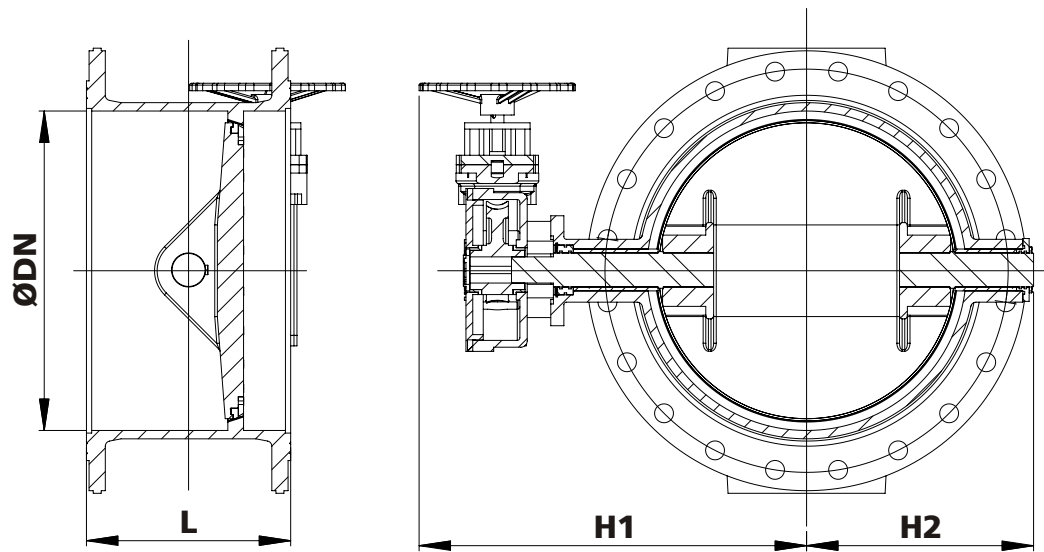


No	Description	Material	Standard	BS Standard	DIN Standard
1	Body	Ductile Iron	GGG 50	2789-73 Gr. 500/7	1693 GGG-50
2	Disc	Ductile Iron	GGG 50	2789-73 Gr. 500/7	1694 GGG-50
3	Drive Shaft	Stainless Steel	X20Cr13	970/4-70 420 S37	17440
		Stainless Steel	304SS	970/4-70 304 S15	17440 1.4301
		Stainless Steel	316SS	970/4-70 316 S16	17440 1.4401
4	Hinge Shaft	Stainless Steel	X20Cr13	970/4-70 420 S37	17440
		Stainless Steel	304SS	970/4-70 304 S15	17440 1.4301
		Stainless Steel	316SS	970/4-70 316 S16	17440 1.4401
5	Long Bearing	Bronze	Rg5	1400 LG2	1705 G-CuSn5ZnPb
6	Short Bearing	Bronze	Rg5	1400 LG2	1705 G-CuSn5ZnPb
7	Body Seat	Stainless Steel	Weld-on 316L		
8	Sealing Ring	Rubber	EPDM		
9	Retainer	Ductile Iron	GGG 50	2789-73 Gr. 500/7	1694 GGG-50
		Stainless Steel	304SS	970/4-70 304 S15	17440 1.4301
		Stainless Steel	316SS	970/4-70 316 S16	17440 1.4401
10	Sealing Bush	Stainless Steel	314SS	970/4-70 304 S15	17440 1.4301
11	Shaft Cover	Stainless Steel	314SS	970/4-70 304 S15	17440 1.4301
12	Key 1	Stainless Steel	X20Cr13	970/4-70 420 S37	17440
13	Key 2	Stainless Steel	X20Cr13	970/4-70 420 S37	17440
14	SCH Screw	Stainless Steel	A2		
15	Hex Bolt	Stainless Steel	A2		
16	Circlip				



Double-Eccentric Butterfly Valves With Gearbox - PN 10-40

Art. B01-
/10-40



DN	PN 10 - 16 EN 593 (short) (BS 5155) Approx. W. (Kg)		PN 10 - 16 EN 593 (long) (DIN 3202 F-4)		PN 25 - 40 EN 593 (long) (BS 5155 & DIN 3202 F-4) Approx. W. (Kg)			H1	H2
	L		L	W. (Kg)	L	PN 25	PN 40		
80	114	20	180	23	180	30	37	220	105
100	127	22	190	25	190	32	40	231	115
125	140	27	200	30	200	40	48	230	130
150	140	35	210	40	210	52	64	267	148
200	152	52	230	60	230	78	96	297	175
250	165	75	250	85	250	110	136	367	210
300	178	105	270	115	270	150	184	395	235
350	190	125	290	140	290	182	224	438	270
400	216	185	310	200	310	260	320	471	300
450	222	220	330	240	330	312	384	528	330
500	229	295	350	320	350	416	512	560	365
600	267	490	390	520	390	676	832	619	430
700	292	670	430	710	430	923	1136	697	465
800	318	940	470	990	470	1290	1585	763	525
900	330	1140	510	1220	510	1560	1920	833	573
1000	410	1525	550	1600	550	2080	2560	897	640
1100	410	1900	590	2000	590	2600	3200	1000	690
1200	470	2080	630	2200	630	2860	3520	1060	755
1400	530	3000	710	3150	710	4095	5040	1181	855
1500	575	3810	750	4000	750	5200	6400	1350	920
1600	600	4730	790	4950	790	6435	7920	1425	985
1800	670	7200	870	7500	870	9750	12000	1575	1080
2000	760	11160	950	11500	950	14950	18400	1680	1190
2200			1030		1030			1900	1300
2400			1110		1110			2000	1405
2600			1190		1190			2200	1510
2800			1270		1270			2310	1615
3000			1350		1350			2530	1730

