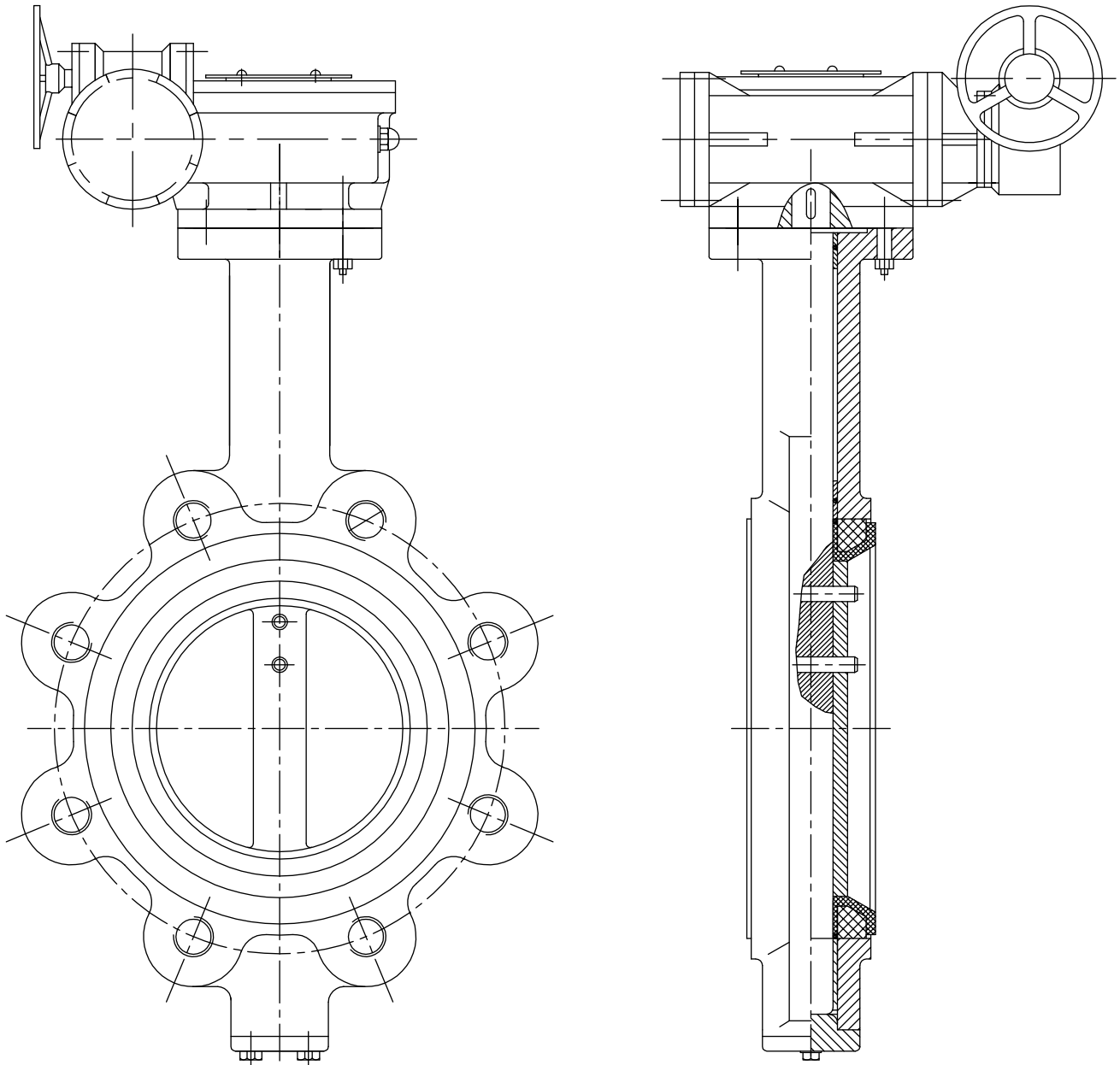




# Rubberlined Butterfly Valve to ISO 5752 Series 20 Lug Type - PN 10-16

**Art. B53-  
ISO/10-16**



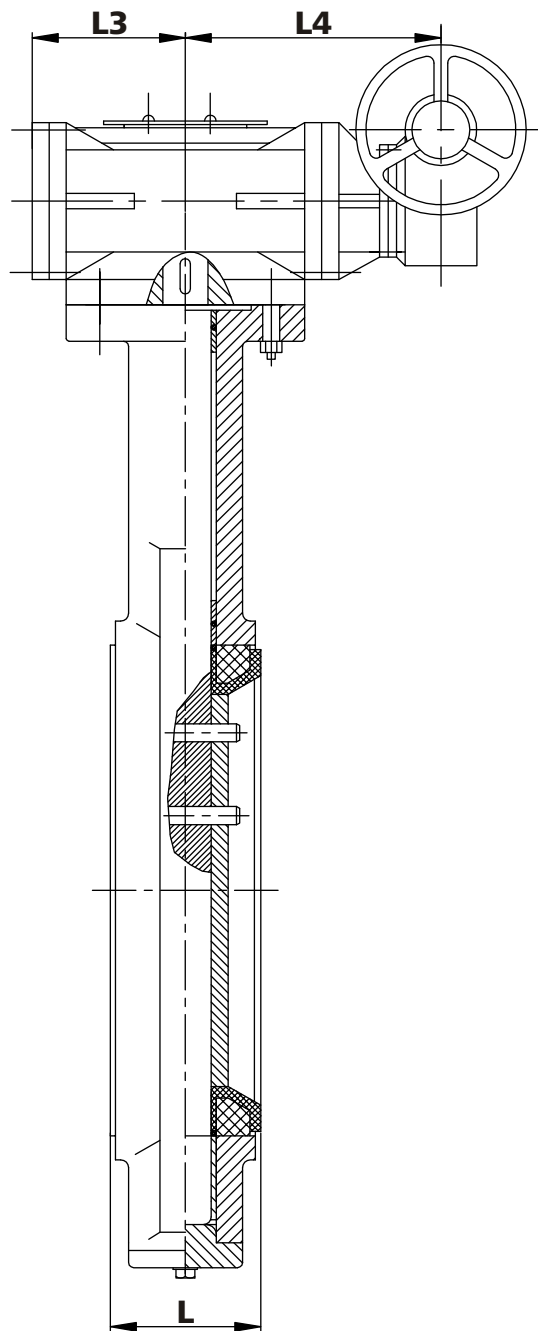
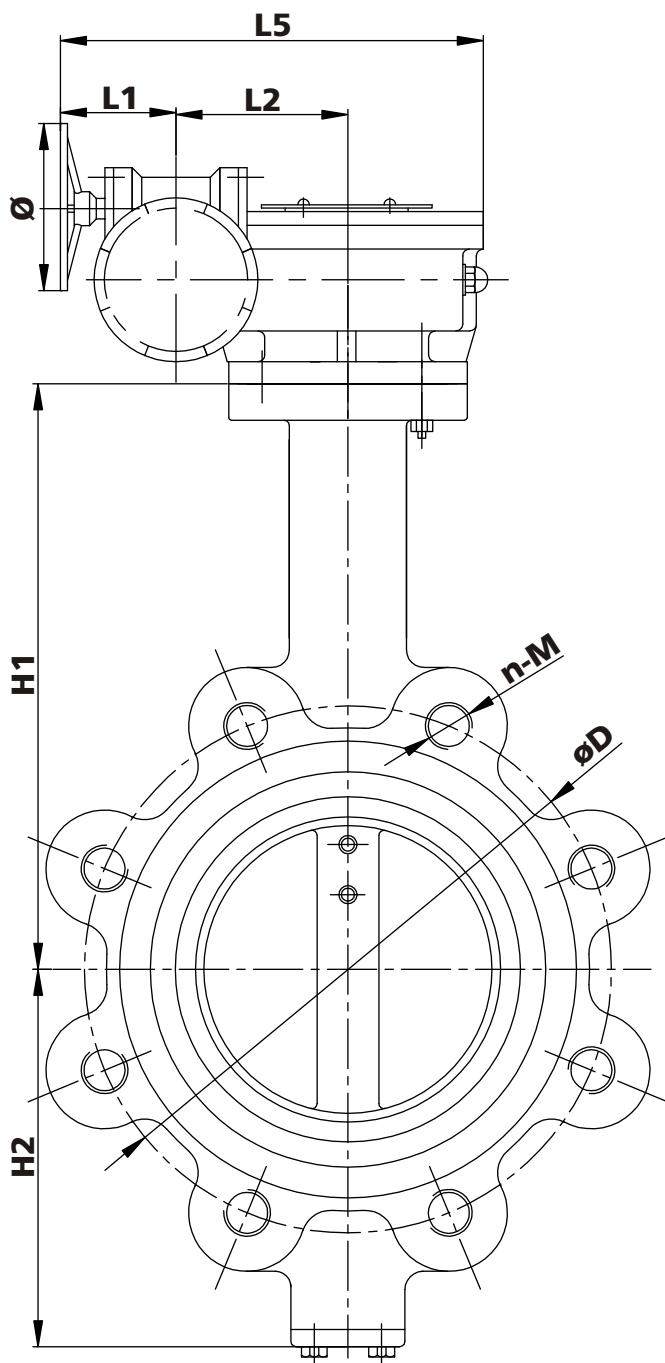
Description	Material	Standard	BS Standard	DIN Standard
Shaft	Stainless Steel	X20Cr13	970/4-70 420 S37	17440
	Stainless Steel	304 SS	970/4-70 304 S15	17440 1.4301
	Stainless Steel	316 SS	970/4-70 316 S16	17440 1.4401
	Alu-Bronze	CA104	CA104	CuAl10Ni5Fe4
	Stainless Steel	Duplex SS	970/4-70 318 S13	17440 1.4462
Bushings	Bronze			
Seat	Rubber	EPDM / NBR		
Disc	Stainless Steel	304 SS	970/4-70 304 S15	17440 1.4301
	Stainless Steel	316 SS	970/4-70 316 S16	17440 1.4401
	Alu-Bronze	C954		
O-Rings	Stainless Steel	Duplex SS	970/4-70 318 S13	17440 1.4462
	Rubber	EPDM / NBR		
Body	Cast Iron	GG 25	1452-61 Gr. 17	1691 GG-25
	Ductile Iron	GGG 50	2789-73 Gr. 500/7	1693 GGG-50





# Rubberlined Butterfly Valve to ISO 5752 Series 20 Lug Type - PN 10-16

**Art. B53-  
ISO/10-16**



DN	L	H1	H2	L1	L2	L3	L4	L5	Ø	PN 10		PN 16	
										øD	n-M	D	n-M
400	102	400	309	174	104	110	181	388	300	515	16-M24	525	16-M27
450	114	422	327	174	104	110	181	388	300	565	16-M24	585	16-M27
500	127	480	361	176	130	136	199,5	442	300	620	16-M24	650	16-M30
600	154	562	154	176	130	136	199,5	442	300	725	16-M27	770	16-M33

