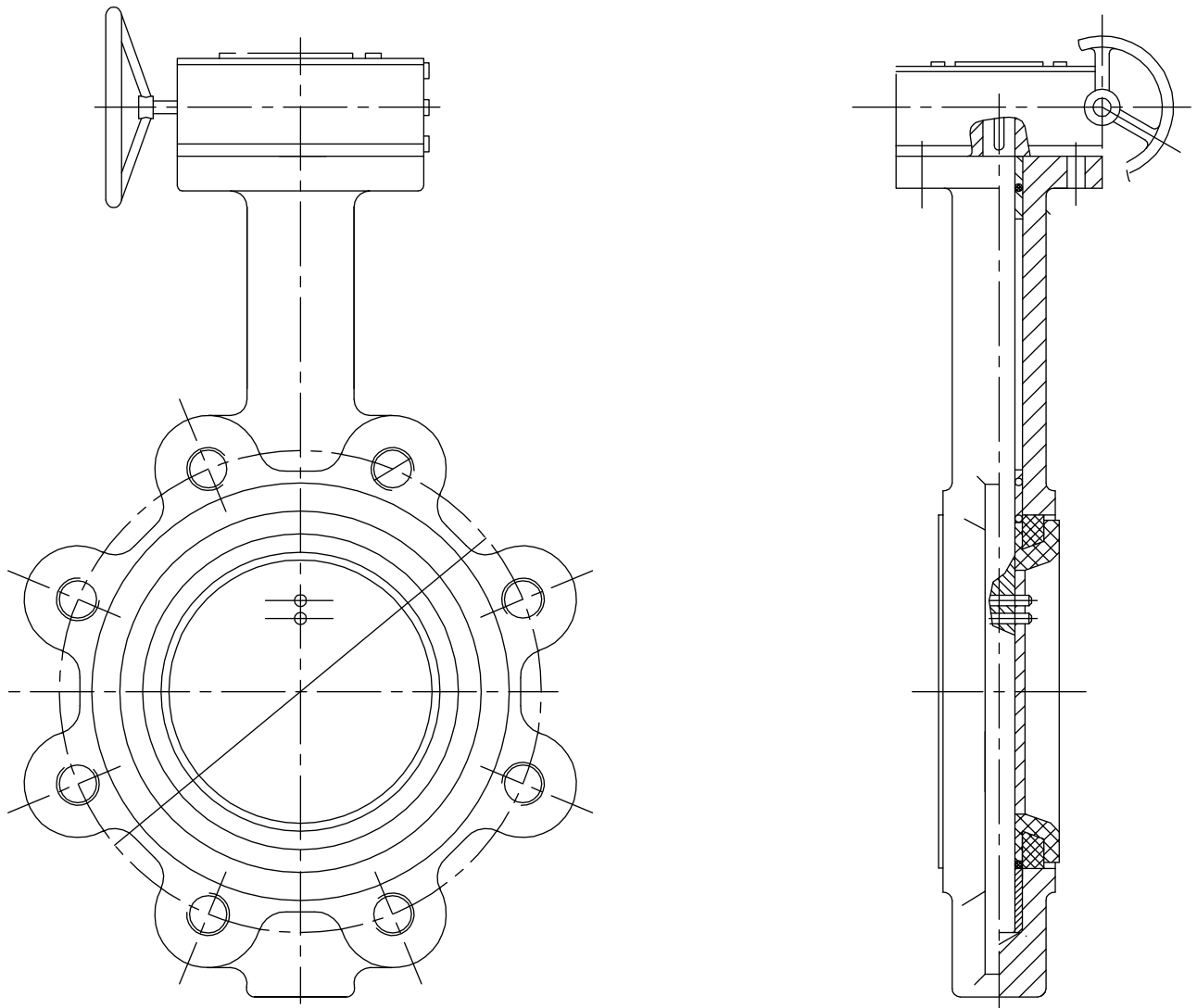




# Rubberlined Butterfly Valve to ISO 5752 Series 20 Lug Type - PN 10-16

**Art. B53-  
ISO/10-16**



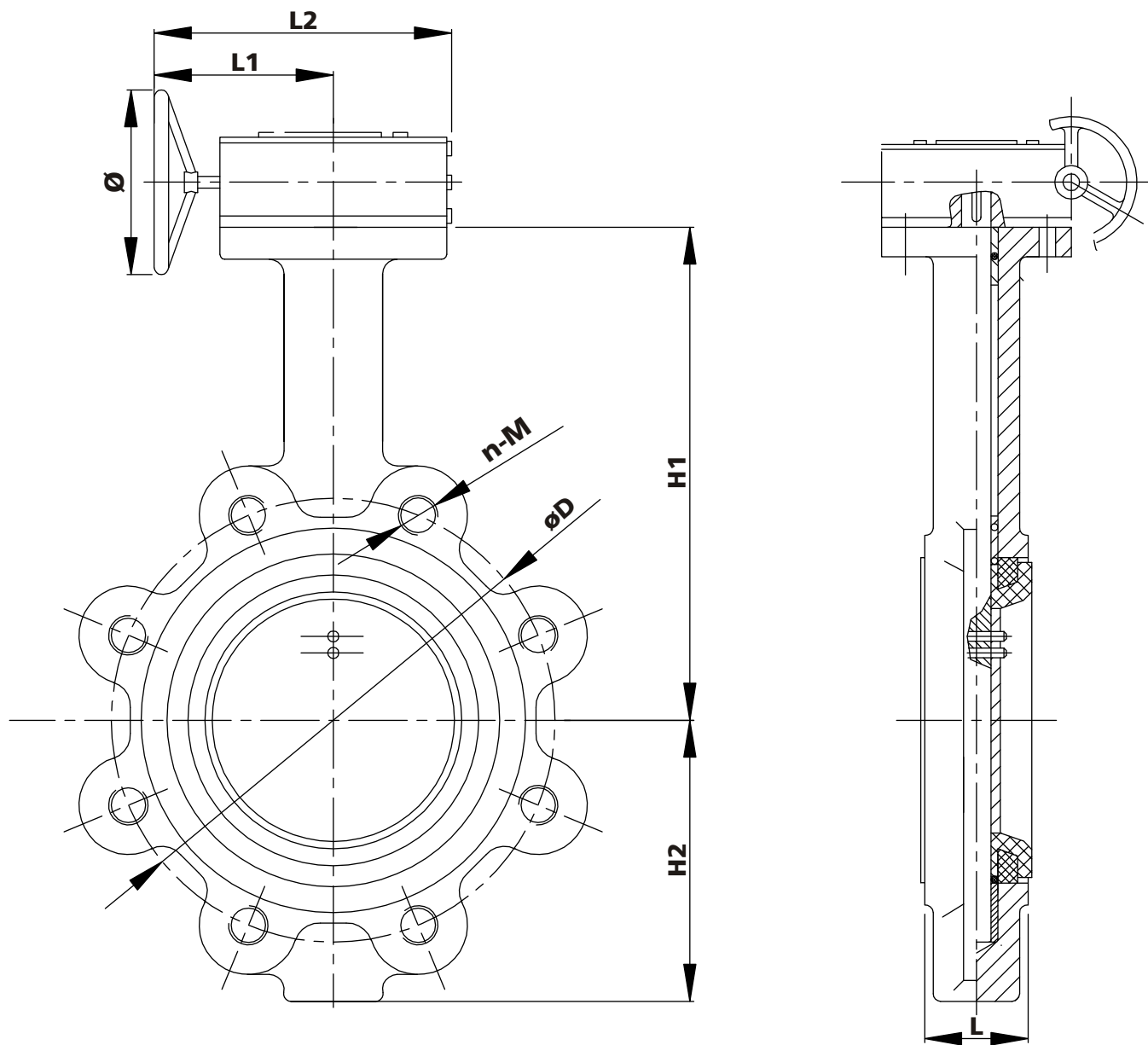
Description	Material	Standard	BS Standard	DIN Standard
Shaft	Stainless Steel	X20Cr13	970/4-70 420 S37	17440
	Stainless Steel	304 SS	970/4-70 304 S15	17440 1.4301
	Stainless Steel	316 SS	970/4-70 316 S16	17440 1.4401
	Alu-Bronze	CA104	CA104	CuAl10Ni5Fe4
	Stainless Steel	Duplex SS	970/4-70 318 S13	17440 1.4462
Bushings	Bronze			
Seat	Rubber	EPDM / NBR		
Disc	Stainless Steel	304 SS	970/4-70 304 S15	17440 1.4301
	Stainless Steel	316 SS	970/4-70 316 S16	17440 1.4401
	Alu-Bronze	C954		
	Stainless Steel	Duplex SS	970/4-70 318 S13	17440 1.4462
O-Rings	Rubber	EPDM / NBR		
Body	Cast Iron	GG 25	1452-61 Gr. 17	1691 GG-25
	Ductile Iron	GGG 50	2789-73 Gr. 500/7	1693 GGG-50





# Rubberlined Butterfly Valve to ISO 5752 Series 20 Lug Type - PN 10-16

**Art. B53-  
ISO/10-16**



DN	L	H1	H2	L1	L2	Ø	PN 10		PN 16	
							ØD	n-M	ØD	n-Ø1
50	43	161	80	173,5	226	150	125	4-M16	Same as PN 10	
65	46	175	89	173,5	226	150	145	4-M16	Same as PN 10	
80	46	181	95	173,5	226	150	160	8-M16	Same as PN 10	
100	52	200	114	173,5	226	150	180	8-M16	Same as PN 10	
125	56	213	127	173,5	226	150	210	8-M16	Same as PN 10	
150	56	226	139	173,5	226	150	240	8-M20	Same as PN 10	
200	60	260	175	237	313	300	295	8-M20	295	12-M20
250	68	292	203	237	313	300	350	12-M20	355	12-M24
300	78	337	242	237	307	300	400	12-M20	410	12-M24
350	78	368	267	237	307	300	400	12-M20	410	12-M24

