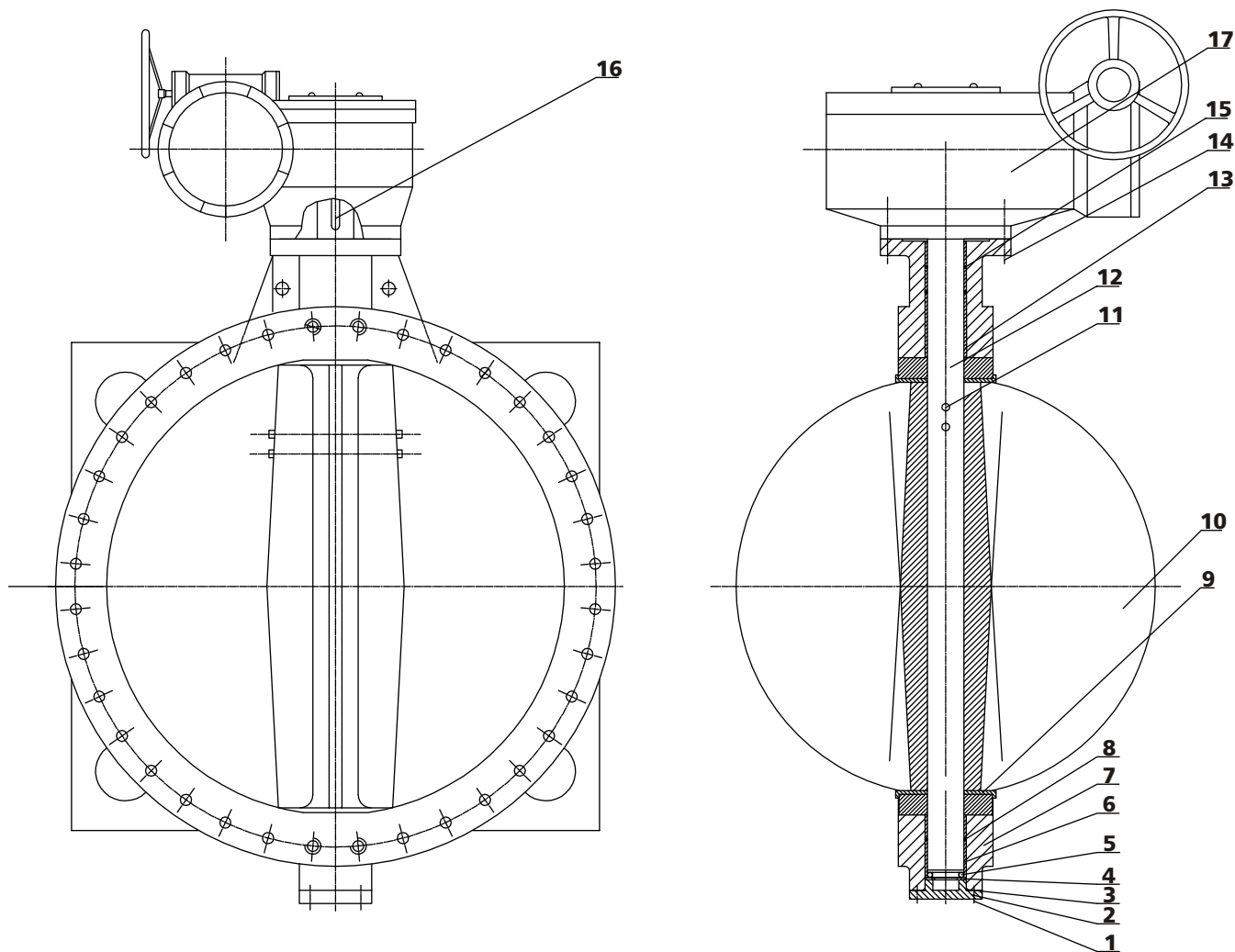




Rubberlined Butterfly Valve to ISO 5752 Series 20 Monoflange - PN 10-16

**Art. B52-
ISO/10-16**



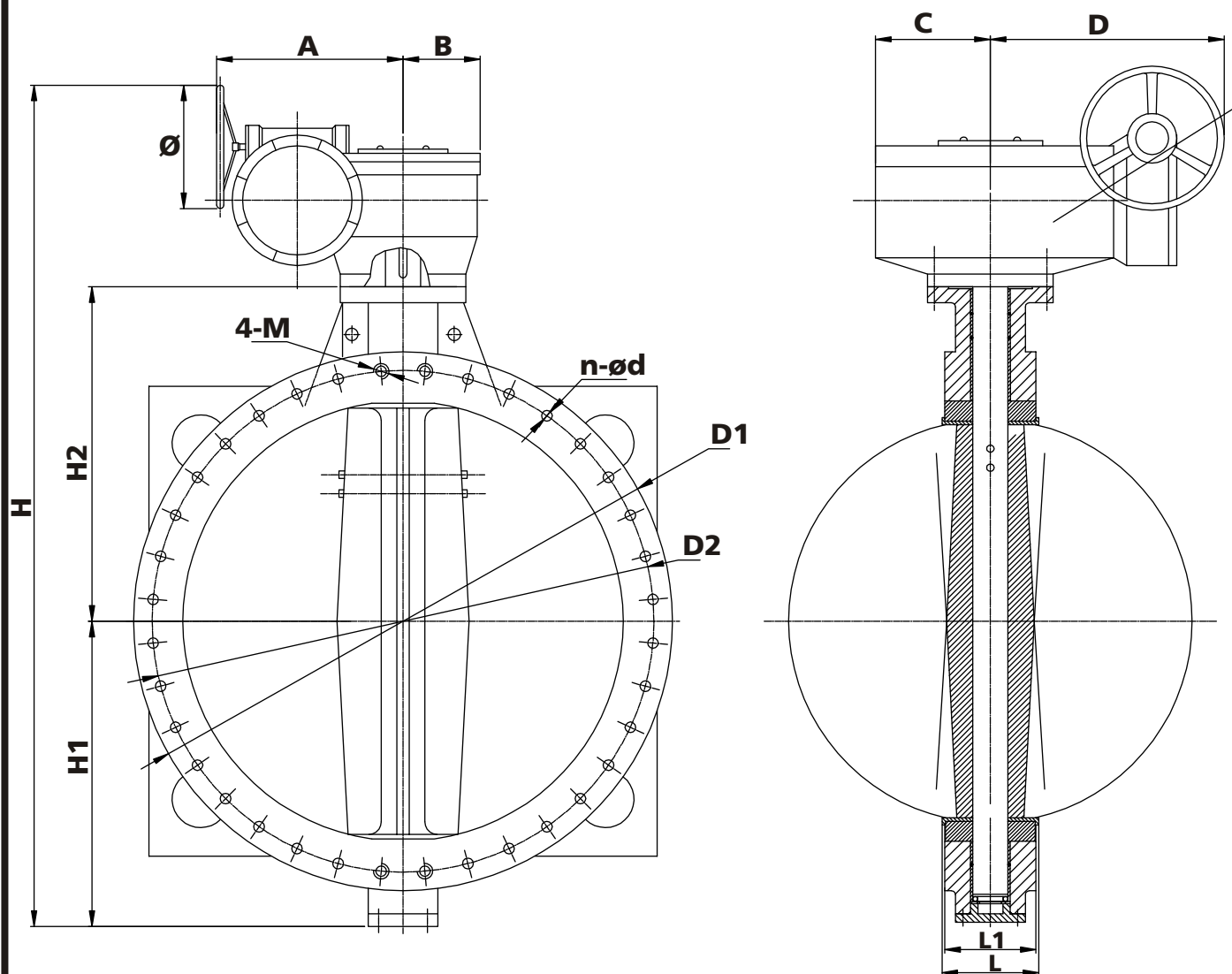
No.	Description	Material	Standard	BS Standard	DIN Standard
1	Bolts	Galvanised Steel			
2	End Cover	Ductile Iron	GGG 50	2789-73 Gr. 500/7	1693 GGG-50
3	O-Ring	Rubber	EPDM / NBR		
4	Washer	Galvanised Steel			
5	Bearing				
6	Lower Bushing	PTFE			
7	Body	Cast Iron	GG 25	1452-61 Gr. 17	1691 GG-25
		Ductile Iron	GGG 50	2789-73 Gr. 500/7	1693 GGG-50
8	O-Ring	Rubber	EPDM / NBR		
9	Seat	Rubber	EPDM / NBR		
10	Disc	Stainless Steel	304 SS	970/4-70 304 S15	17440 1.4301
		Stainless Steel	316 SS	970/4-70 316 S16	17440 1.4401
		Alu-Bronze	C954		
11	Pin	Stainless Steel	304 SS	970/4-70 304 S15	17440 1.4301
		Stainless Steel	316 SS	970/4-70 316 S16	17440 1.4401
12	Shaft	Stainless Steel	X20Cr13	970/4-70 420 S37	17440
		Stainless Steel	304 SS	970/4-70 304 S15	17440 1.4301
		Stainless Steel	316 SS	970/4-70 316 S16	17440 1.4401
13	Upper Bushing	PTFE			
14	Bolts	Galvanised Steel			
15	O-Ring	Rubber	EPDM / NBR		
16	Key	Stainless Steel	X20Cr13	970/4-70 420 S37	17440
17	Gearbox				





Rubberlined Butterfly Valve to ISO 5752 Series 20 Monoflange - PN 10-16

**Art. B52-
ISO/10-16**



DN	L1	L	H	H1	H2	A	B	C	D	Ø	D1	PN 10			PN 16		
												D2	n-Ød	4-M	D2	n-Ød	4-M
700	165	169	1766	527	629	362	173	173	468	450	910	840	20-30	4-M27	840	20-36	4-M33
800	190	195	1937	594	666	411	201	201	489	450	1025	950	20-33	4-M30	950	20-39	4-M36
900	203	211	2053	656	720	411	201	201	489	450	1125	1050	24-33	4-M30	1050	24-39	4-M36
1000	216	224	2251	718	800	510	214	255	531	450	1255	1160	24-36	4-M33	1170	24-42	4-M39
1200	276	286	2665	864	941	722	280	350	683	500	1485	1380	28-39	4-M36	1390	28-48	4-M45

