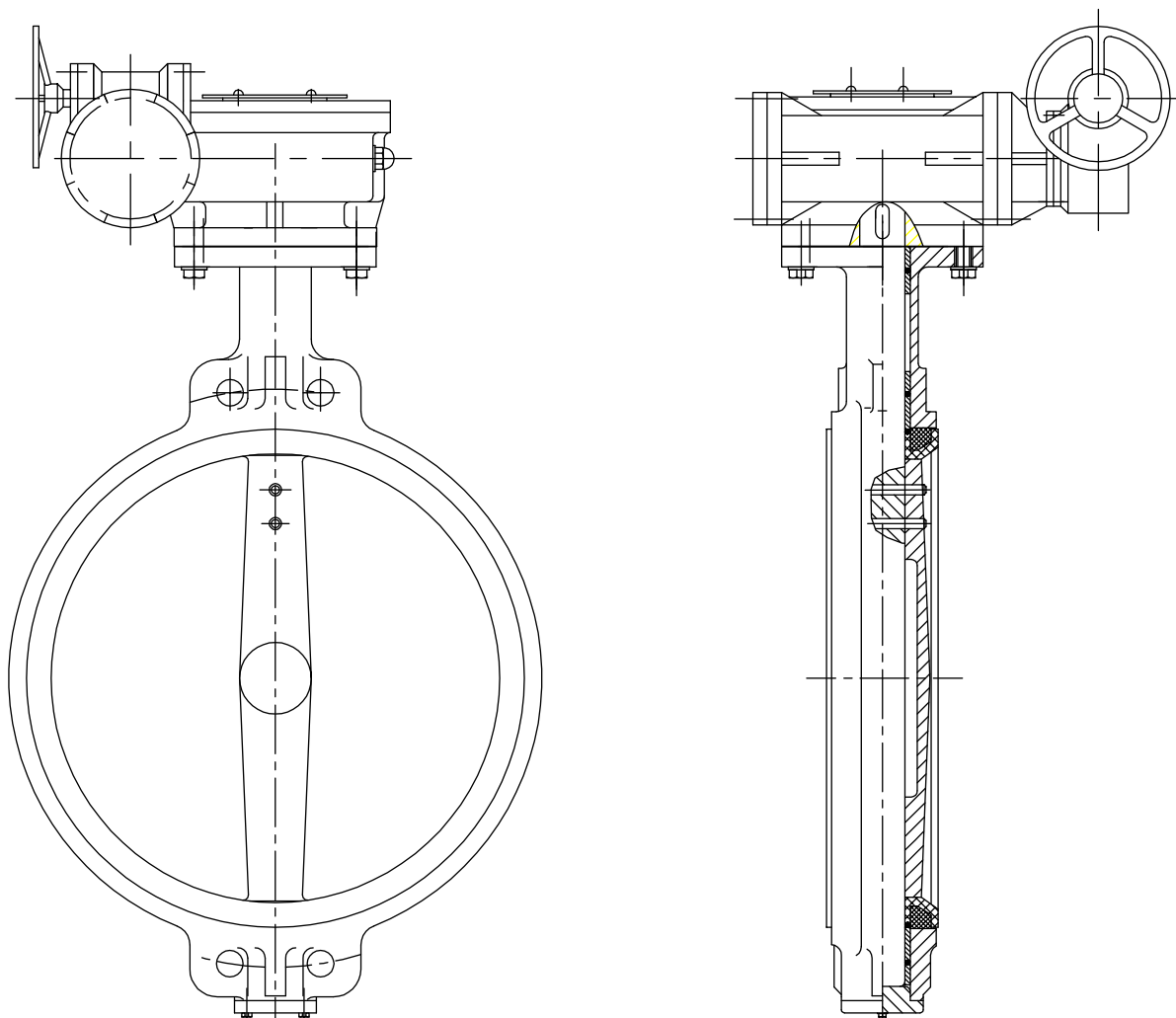




Rubberlined Butterfly Valve to ISO 5752 Series 20 Wafer Type - PN 10-16

**Art. B51-
ISO/10-16**



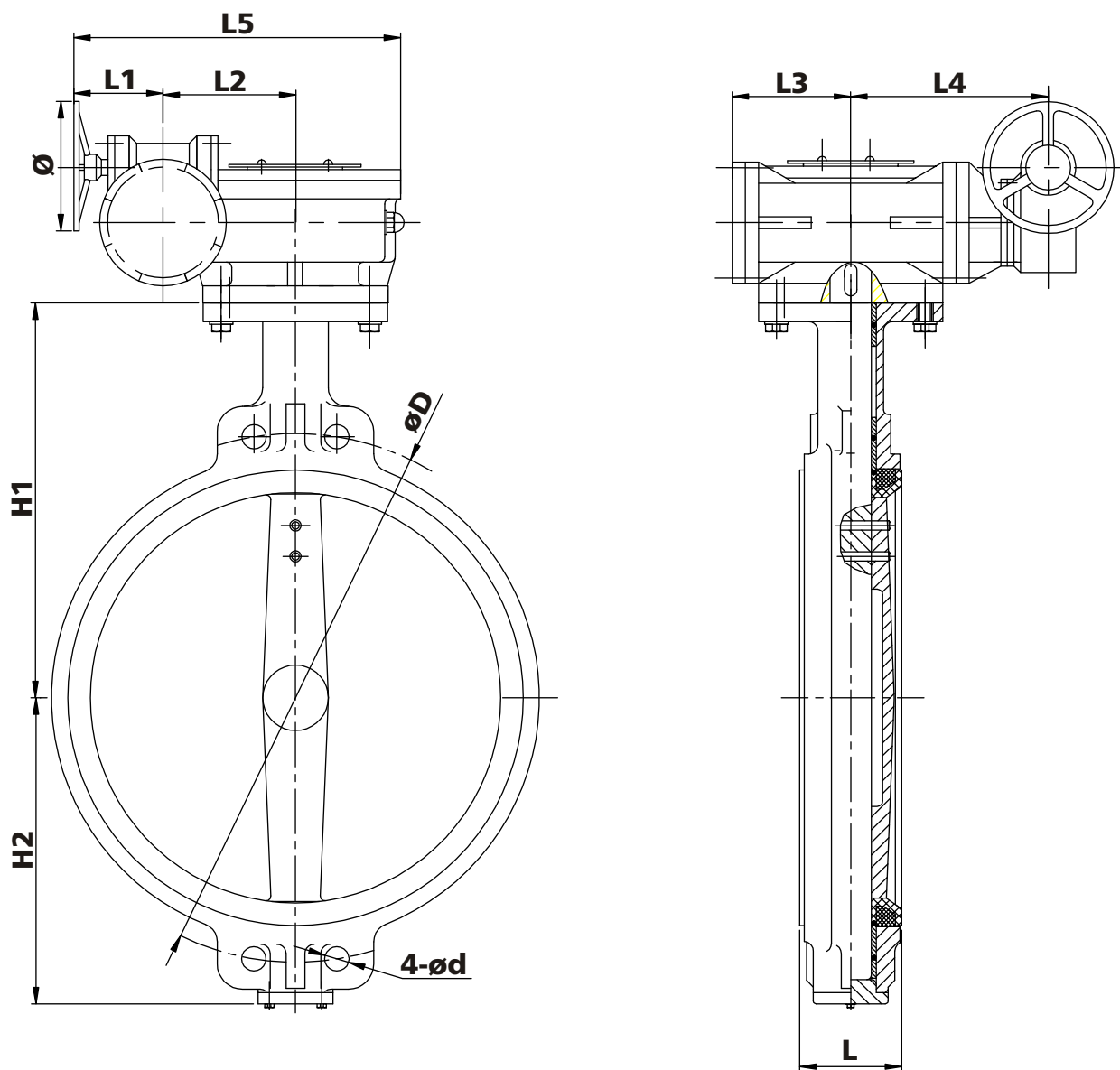
Description	Material	Standard	BS Standard	DIN Standard
Shaft	Stainless Steel	X20Cr13	970/4-70 420 S37	17440
	Stainless Steel	304 SS	970/4-70 304 S15	17440 1.4301
	Stainless Steel	316 SS	970/4-70 316 S16	17440 1.4401
	Alu-Bronze	CA104	CA104	CuAl10Ni5Fe4
	Stainless Steel	Duplex SS	970/4-70 318 S13	17440 1.4462
Bushings	Bronze			
Seat	Rubber	EPDM / NBR		
Disc	Stainless Steel	304 SS	970/4-70 304 S15	17440 1.4301
	Stainless Steel	316 SS	970/4-70 316 S16	17440 1.4401
	Alu-Bronze	C954		
O-Rings	Stainless Steel	Duplex SS	970/4-70 318 S13	17440 1.4462
Body	Rubber	EPDM / NBR		
	Cast Iron	GG 25	1452-61 Gr. 17	1691 GG-25
	Ductile Iron	GGG 50	2789-73 Gr. 500/7	1693 GGG-50





Rubberlined Butterfly Valve to ISO 5752 Series 20 Wafer Type - PN 10-16

**Art. B51-
ISO/10-16**



DN	L	H1	H2	L1	L2	L3	L4	L5	Ø	PN 10		PN 16	
										øD1	4-ød	øD1	4-ød
400	102	400	309	174	104	110	181	388	300	515	4-27	525	4-30
450	114	422	327	174	104	110	181	388	300	565	4-27	585	4-30
500	127	480	361	176	130	136	199,5	442	300	620	4-27	650	4-33
600	154	562	459	176	130	136	199,5	442	300	725	4-30	770	4-36

