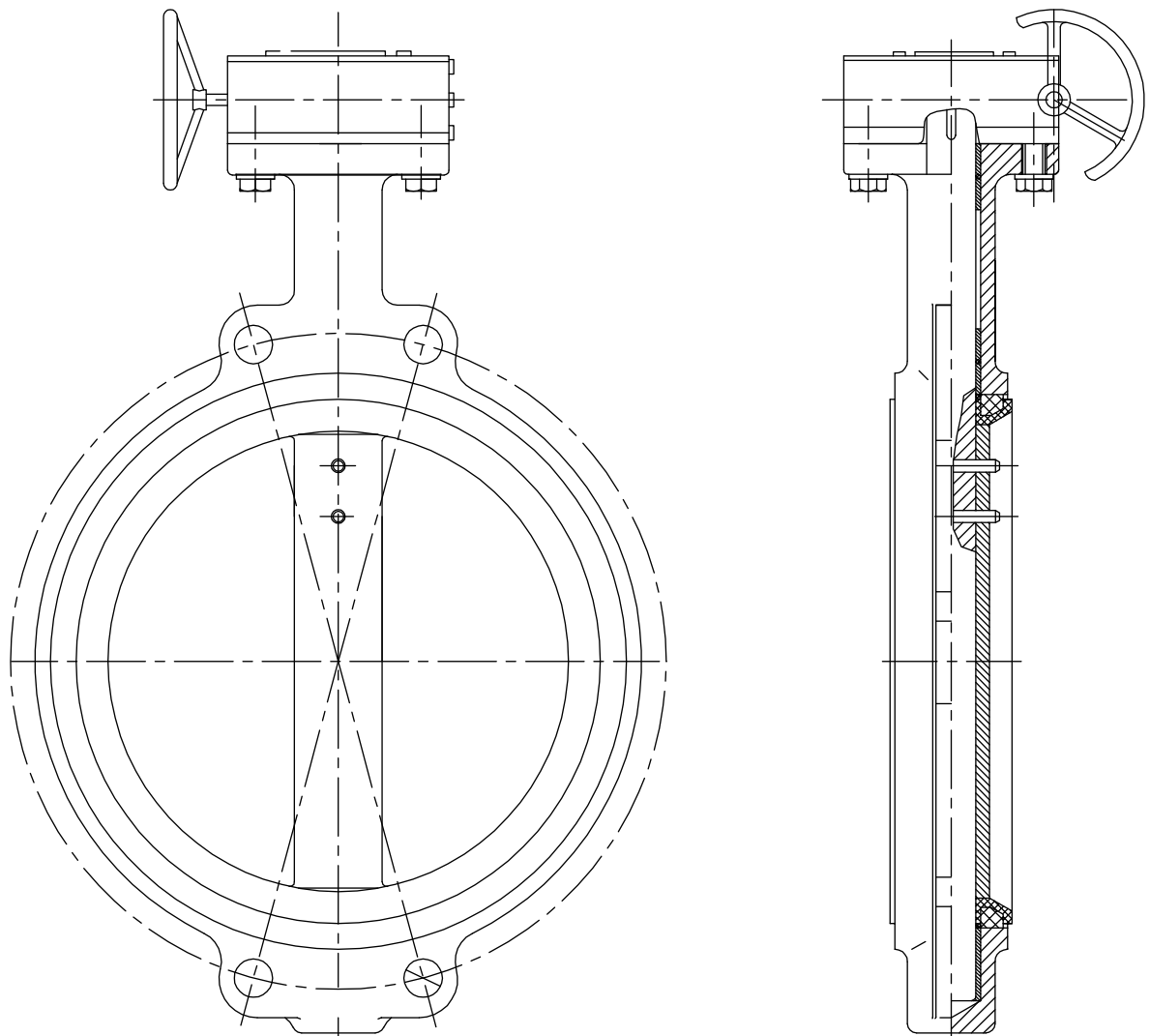




Rubberlined Butterfly Valve to ISO 5752 Series 20 Wafer Type - PN 10-16

**Art. B51-
ISO/10-16**



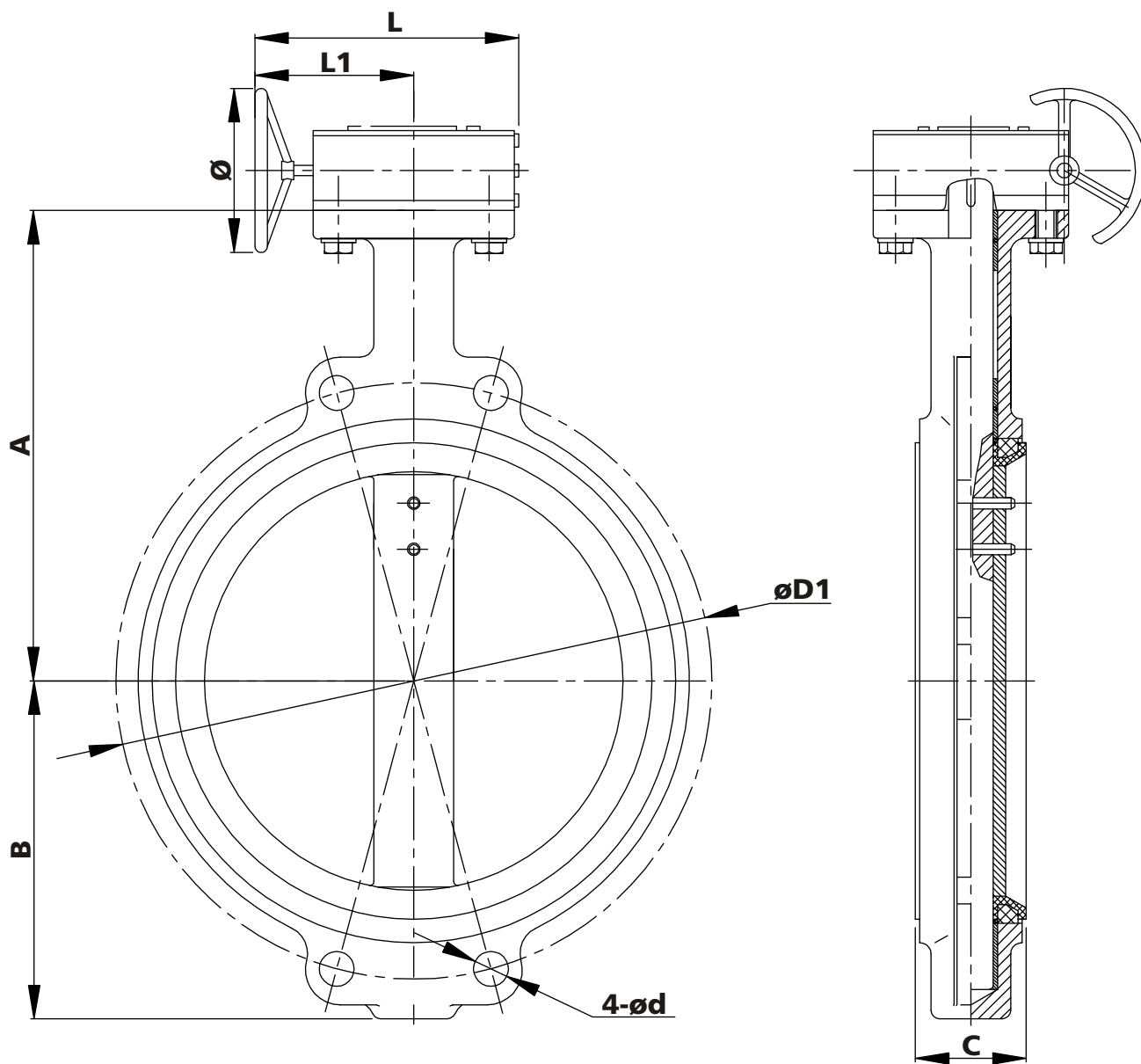
Description	Material	Standard	BS Standard	DIN Standard
Shaft	Stainless Steel	X20Cr13	970/4-70 420 S37	17440
	Stainless Steel	304 SS	970/4-70 304 S15	17440 1.4301
	Stainless Steel	316 SS	970/4-70 316 S16	17440 1.4401
	Alu-Bronze	CA104	CA104	CuAl10Ni5Fe4
	Stainless Steel	Duplex SS	970/4-70 318 S13	17440 1.4462
Bushings	Bronze			
Seat	Rubber	EPDM / NBR		
Disc	Stainless Steel	304 SS	970/4-70 304 S15	17440 1.4301
	Stainless Steel	316 SS	970/4-70 316 S16	17440 1.4401
	Alu-Bronze	C954		
O-Rings	Stainless Steel	Duplex SS	970/4-70 318 S13	17440 1.4462
	Rubber	EPDM / NBR		
Body	Cast Iron	GG 25	1452-61 Gr. 17	1691 GG-25
	Ductile Iron	GGG 50	2789-73 Gr. 500/7	1693 GGG-50





Rubberlined Butterfly Valve to ISO 5752 Series 20 Wafer Type - PN 10-16

**Art. B51-
ISO/10-16**



DN	C	L	L1	Ø	A	B	PN 10		PN 16	
							øD1	4-ød	øD1	4-ød
50	43	226	173,5	150	161	80	125	4-18	125	4-18
65	46	226	173,5	150	175	89	145	4-18	145	4-18
80	46	226	173,5	150	181	95	160	4-18	160	4-18
100	52	226	173,5	150	200	114	180	4-18	180	4-18
125	56	226	173,5	150	213	127	210	4-18	210	4-18
150	56	226	173,5	150	226	139	240	4-22	240	4-22
200	60	313	237	300	260	175	295	4-22	295	4-22
250	68	313	237	300	292	203	350	4-22	355	4-26
300	78	307	237	300	337	242	400	4-22	410	4-26
350	78	307	237	300	368	267	460	4-22	470	4-26

