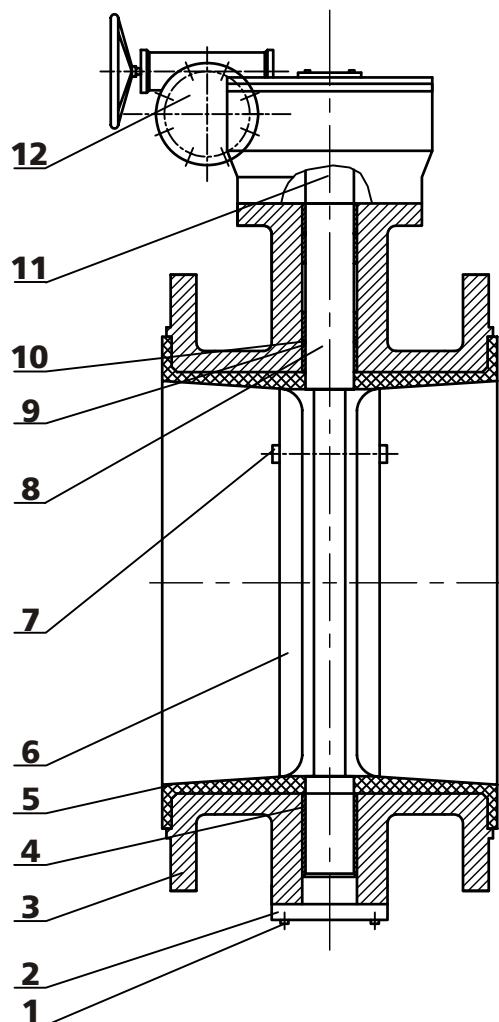
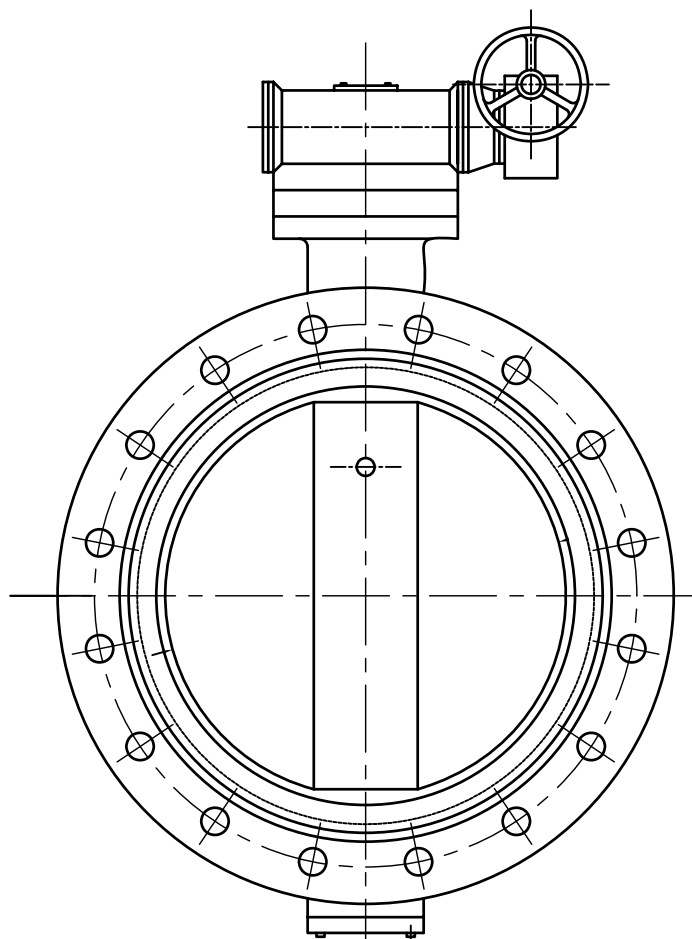




Doubleflanged Vulcanised Centric Butterfly Valves To BS 5155 (EN 593 Short) - DN 400-600

**Art. B31-
BS/10-16**



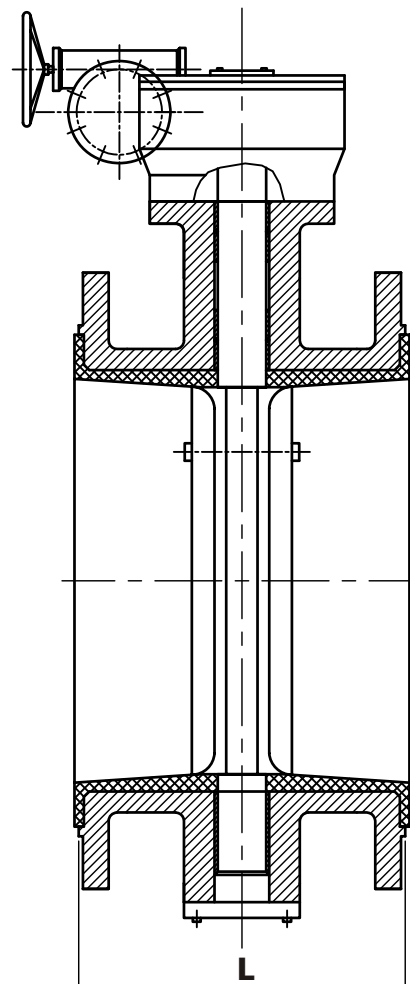
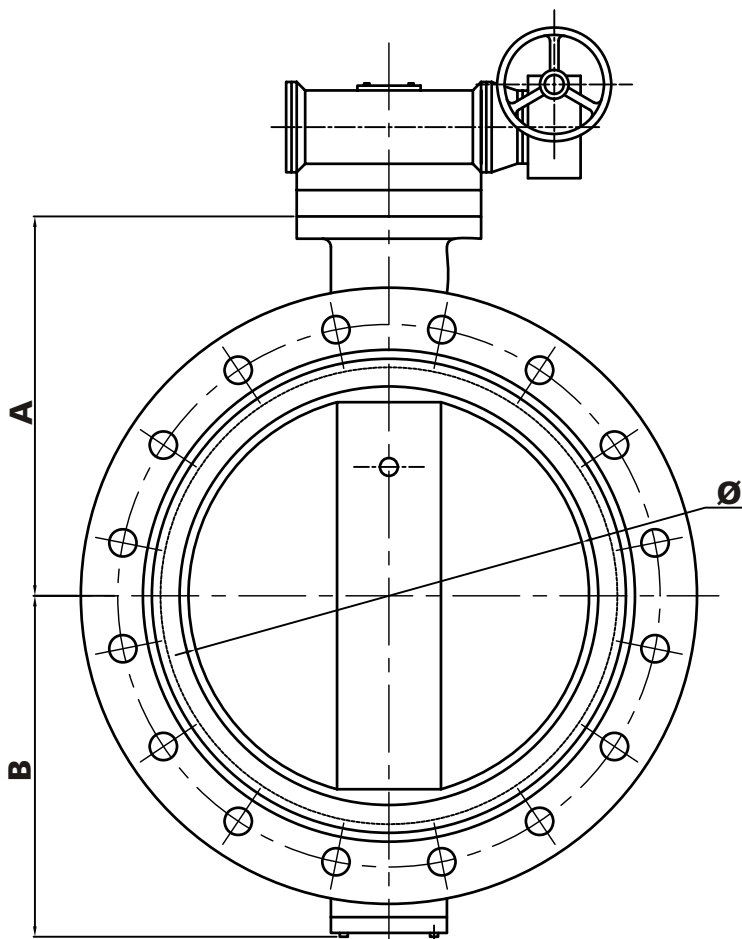
No.	Description	Material	Standard	BS Standard	DIN Standard
1	Bolt	Galv. Steel			
2	Bottom Cover	Ductile Iron	GGG 50	2789-73 Gr. 500/7	1693 GGG-50
3	Body	Ductile Iron	GGG 50	2789-73 Gr. 500/7	1693 GGG-50
4	Lower Bushing	Bronze	Rg5	1400 LG2	1705 G-CuSn5ZnPb
5	Seat	Rubber	EPDM		
6	Disc	Stainless Steel	304 SS	970/4-70 304 S15	17440 1.4301
		Stainless Steel	316 SS	970/4-70 316 S16	17440 1.4401
7	Taper Pin	Stainless Steel	304 SS	970/4-70 304 S15	17440 1.4301
		Stainless Steel	316 SS	970/4-70 316 S16	17440 1.4401
8	Shaft	Stainless Steel	X20Cr13	970/4-70 420 S37	17440
		Stainless Steel	304 SS	970/4-70 304 S15	17440 1.4301
		Stainless Steel	316 SS	970/4-70 316 S16	17440 1.4401
9	Upper Bushing	Bronze	Rg5	1400 LG2	1705 G-CuSn5ZnPb
10	O-Ring	Rubber	EPDM		
11	Flat Key	Stainless Steel			
12	Worm Gear				





Doubleflanged Vulcanised Centric Butterfly Valves To BS 5155 (EN 593 Short) - DN 400-600

**Art. B31-
BS/10-16**



DN	Length (mm)	Ø	A	B
400	216	389,2	376	296
450	222	439,8	406,6	315,6
500	229	491,4	448	352
600	267	591,8	518	441,4

