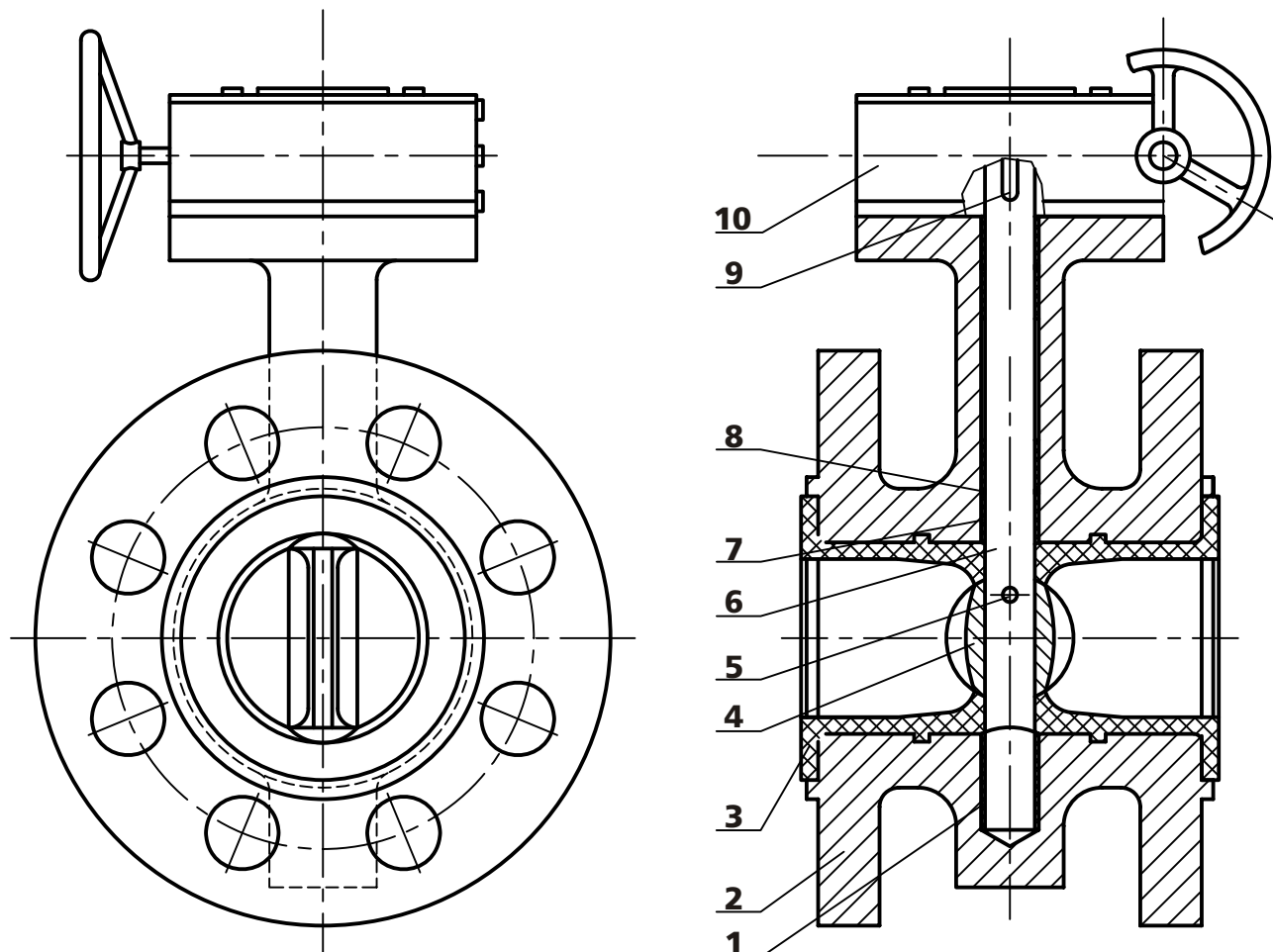




# Doubleflanged Vulcanised Centric Butterfly Valves To BS 5155 (EN 593 Short) - DN 50-350

**Art. B31-  
BS/10-16**



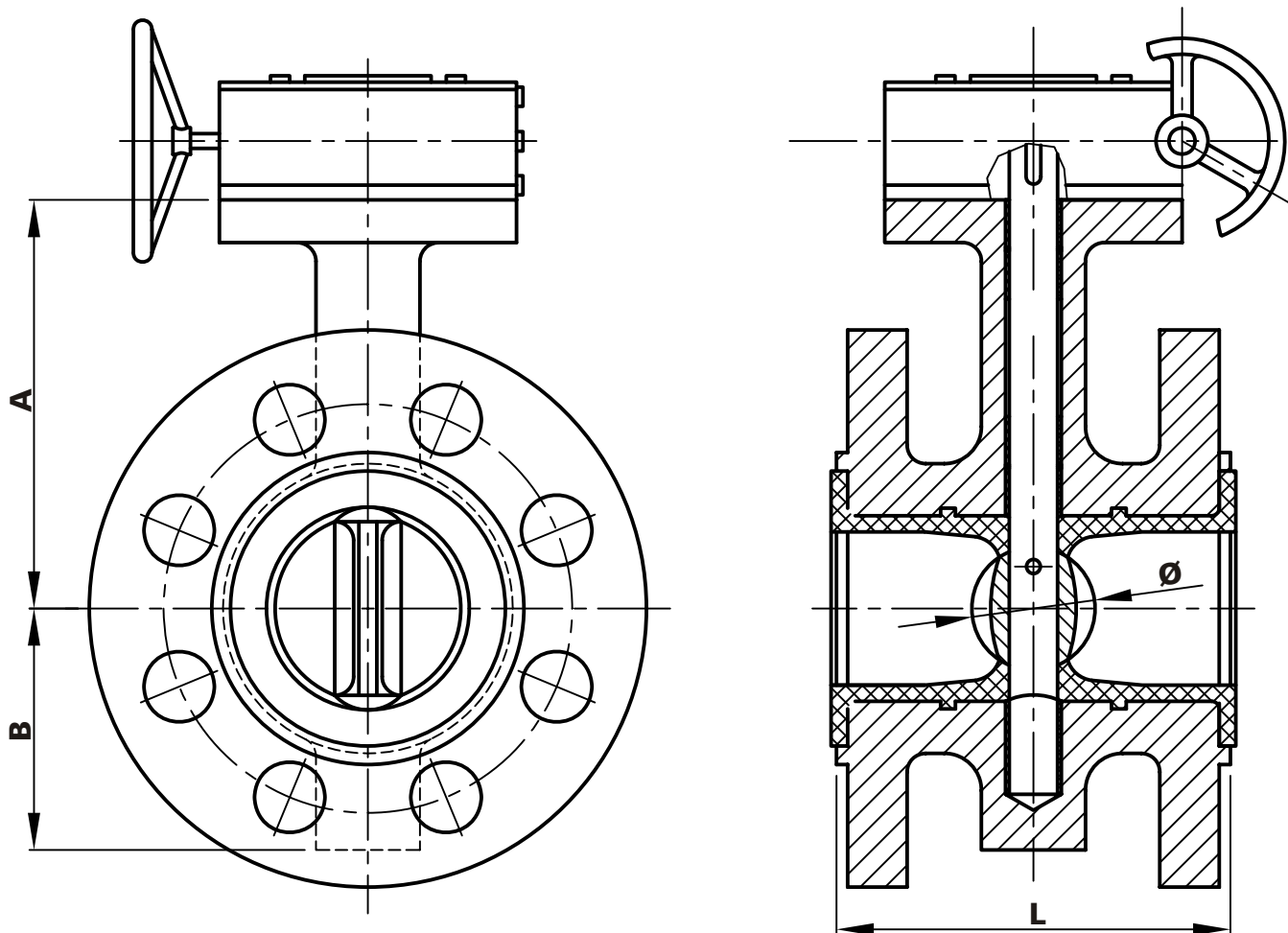
No.	Description	Material	Standard	BS Standard	DIN Standard
1	Lower Bushing	Bronze	Rg5	1400 LG2	1705 G-CuSn5ZnPb
2	Body	Ductile Iron	GGG 50	2789-73 Gr. 500/7	1693 GGG-50
3	Seat	Rubber	EPDM		
4	Disc	Stainless Steel	304 SS	970/4-70 304 S15	17440 1.4301
		Stainless Steel	316 SS	970/4-70 316 S16	17440 1.4401
5	Taper Pin	Stainless Steel	304 SS	970/4-70 304 S15	17440 1.4301
		Stainless Steel	316 SS	970/4-70 316 S16	17440 1.4401
		Stainless Steel	X20Cr13	970/4-70 420 S37	17440
6	Shaft	Stainless Steel	304 SS	970/4-70 304 S15	17440 1.4301
		Stainless Steel	316 SS	970/4-70 316 S16	17440 1.4401
7	Upper Bushing	Bronze	Rg5	1400 LG2	1705 G-CuSn5ZnPb
8	O-Ring	Rubber	EPDM		
9	Flat Key	Stainless Steel			
10	Worm Gear				





# Doubleflanged Vulcanised Centric Butterfly Valves To BS 5155 (EN 593 Short) - DN 50-350

**Art. B31-  
BS/10-16**



DN	Length (mm)	Ø	A	B
50	108	52,9	110	80
65	112	64,5	134	80
80	114	78,9	131	95
100	127	104,4	150	114
125	140	123,5	170	113
150	140	156,1	180	139
200	152	202,7	210	175
250	165	250,7	245,5	203
300	178	301,9	276	242
350	190	334,2	328	256

