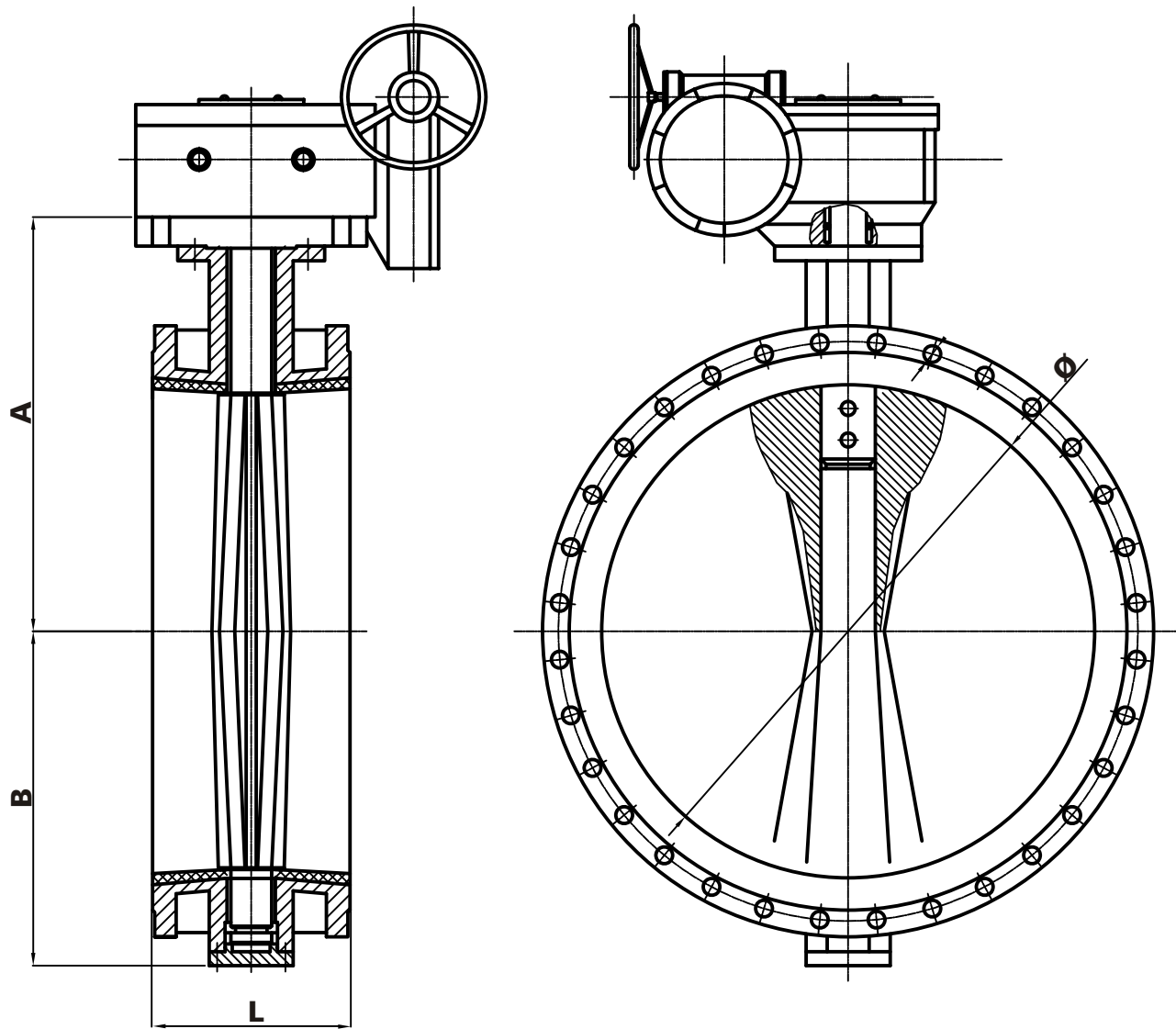


No.	Description	Material	Standard	BS Standard	DIN Standard
1	O-Ring	Rubber	NBR		
2	Bolt	Galv. Steel			
3	Bottom Cover	Cast Iron	GG 25	1452-61 Gr. 17	1691 GG-25
4	Thrust Block				
5	Washer	Stainless Steel	304 SS	970/4-70 304 S15	17440 1.4301
		Stainless Steel	316 SS	970/4-70 316 S16	17440 1.4401
6	Cross Ring	Stainless Steel	304 SS	970/4-70 304 S15	17440 1.4301
		Stainless Steel	316 SS	970/4-70 316 S16	17440 1.4401
7	Lower Bushing	Rubber	EPDM / NBR		
8	Lower Shaft	Stainless Steel	X20Cr13	970/4-70 420 S37	17440
		Stainless Steel	304 SS	970/4-70 304 S15	17440 1.4301
		Stainless Steel	316 SS	970/4-70 316 S16	17440 1.4401
9	Disc	Stainless Steel	304 SS	970/4-70 304 S15	17440 1.4301
		Stainless Steel	316 SS	970/4-70 316 S16	17440 1.4401
10	Upper Bushing 1	Bronze	Rg5	1400 LG2	1705 G-CuSn5ZnPb
11	Seat	Rubber	EPDM / NBR		
12	Body	Ductile Iron	GGG 50	2789-73 Gr. 500/7	1693 GGG-50
13	Upper Bushing 2	Bronze	Rg5	1400 LG2	1705 G-CuSn5ZnPb
14	O-Ring	Rubber	EPDM / NBR		
15	Bolt	Galv. Steel			
16	Washer	Galv. Steel			
17	Worm Gear				
18	Upper Shaft	Stainless Steel	X20Cr13	970/4-70 420 S37	17440
		Stainless Steel	304 SS	970/4-70 304 S15	17440 1.4301
		Stainless Steel	316 SS	970/4-70 316 S16	17440 1.4401
19	Taper Pin	Stainless Steel	304 SS	970/4-70 304 S15	17440 1.4301
		Stainless Steel	316 SS	970/4-70 316 S16	17440 1.4401
20	Flat Key	Stainless Steel			

AM

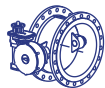
Doubleflanged Vulcanised Centric Butterfly Valves To BS 5155 (EN 593 Short) - DN 700-1200

**Art. B31-
BS/10-16**



DN	Length (mm)	Ø	A	B
700	292	693,7	560	473,4
800	318	794,4	620	527,4
900	330	863,5	685	581
1000	410	963,4	735	653
1200	470	1160,6	917	796

AM Valves AS



Bjellandveien 15, 3172 Vear - Norway, Phone: +47 33 36 73 00 - Fax: +47 33 33 36 49