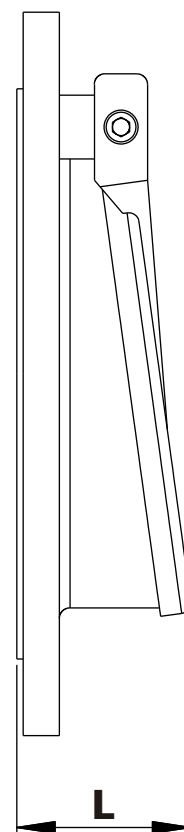
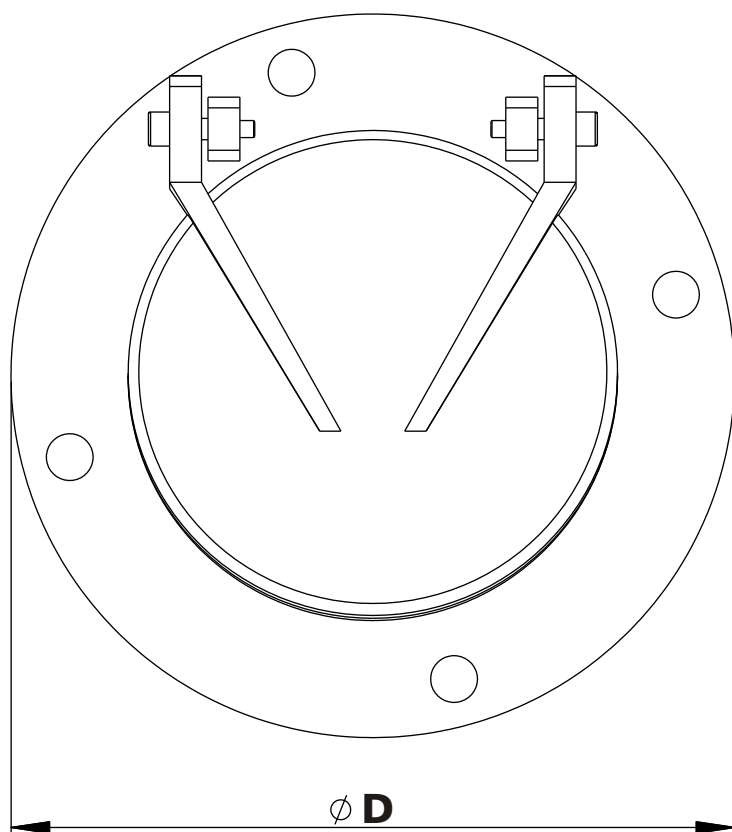


No.	Description	Material	Standard	BS Standard	DIN Standard
1	Body	Ductile Iron	GGG 50	2789-73 Gr. 500/7	1693 GGG-50
		Stainless Steel	304 SS	970/4-70 304 S15	17440 1.4301
		Stainless Steel	316 SS	970/4-70 316 S16	17440 1.4401
2	Flap	Ductile Iron	GGG 50	2789-73 Gr. 500/7	1693 GGG-50
		Stainless Steel	304 SS	970/4-70 304 S15	17440 1.4301
		Stainless Steel	316 SS	970/4-70 316 S16	17440 1.4401
3	Pin	Stainless Steel	A2	-	-
		Stainless Steel	A4	-	-



DN mm	ØD mm	Length mm	Approx. W. (Kg)
50	165	25	2,5
65	185	30	3
80	200	35	4
100	220	40	6
125	250	50	8
150	285	60	12
200	340	80	16
250	405	100	24
300	460	115	32
350	520	130	38
400	580	145	45
450	640	160	60
500	715	170	95
600	840	200	120
700	910	225	150
800	1025	250	250