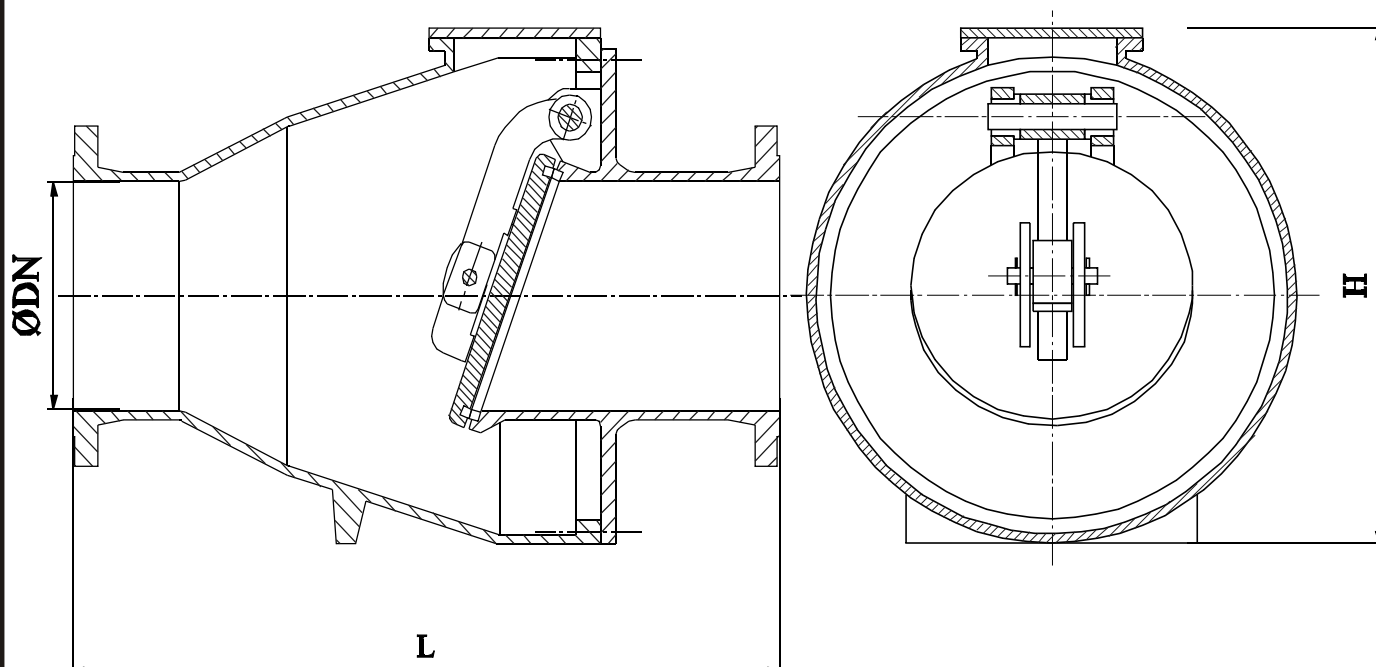


No	Part	Std.	BS Std.	Description
1	Body & Inlet	GGG50	2789-73 Gr. 500/7	Ductile Iron
2	Disc	GGG50	2789-73 Gr. 500/7	Ductile Iron
3	Shaft	X20Cr13	970/4-70 420 S37	Stainless Steel
4	Arm	GGG50	2789-73 Gr. 500/7	Ductile Iron
5	Body Seat	Weld-on 316L		Stainless Steel
6	Disc Seat	Weld-on 316L		Stainless Steel
7	Bearing	Rg5	1400 LG2	Bronze
8	Cover	GGG50	2789-73 Gr. 500/7	Ductile Iron
9	Hinge Pin	X20Cr13	970/4-70 420 S37	Stainless Steel
10	O-Rings	EPDM	-	Rubber
11	Pins	AISI304	970/4-70 Gr. 316 S16	Stainless Steel

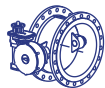
# AM

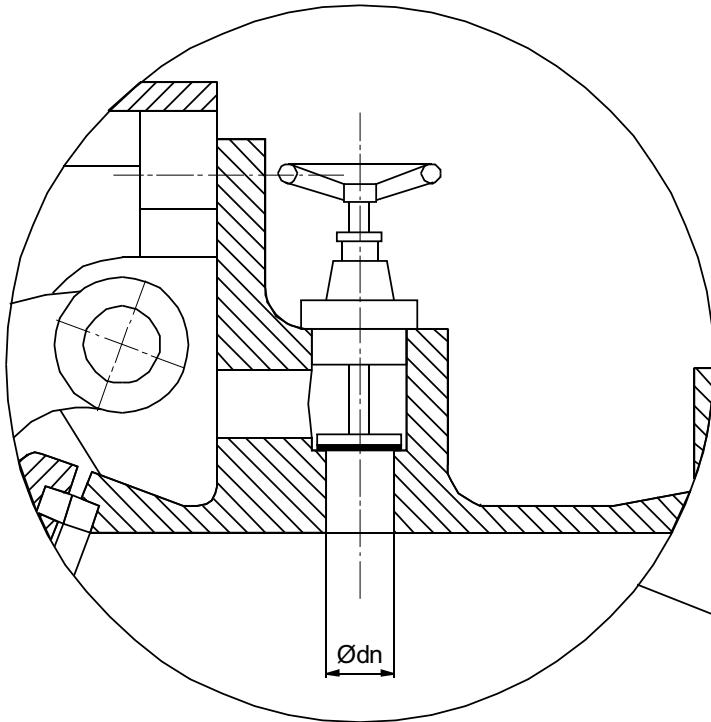
## Non-Slam-Non Return valve (Recoil type) - PN 10-25

Art. C41-  
BS/10-25

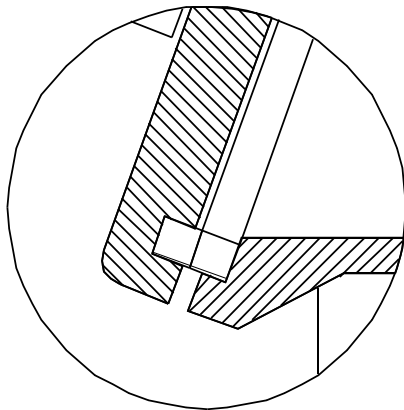
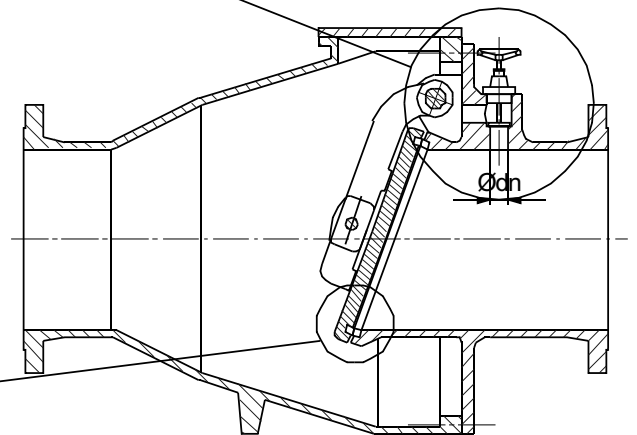


DN	L	H	App W (kg)	
			PN 10 & PN 16	PN 25
150	610	470	170	170
200	762	560	258	258
250	965	600	345	345
300	1067	715	450	450
350	1143	880	625	625
400	1143	890	857	857
450	1219	1020	1050	1050
500	1321	1090	1450	1450
600	1450	1190	1838	1838
700	1580	1280	2513	2513
800	1700	1370	3125	3125
900	1840	1470		
1000	1985	1570		
1200	2145	1680		
1400	2315	1795		



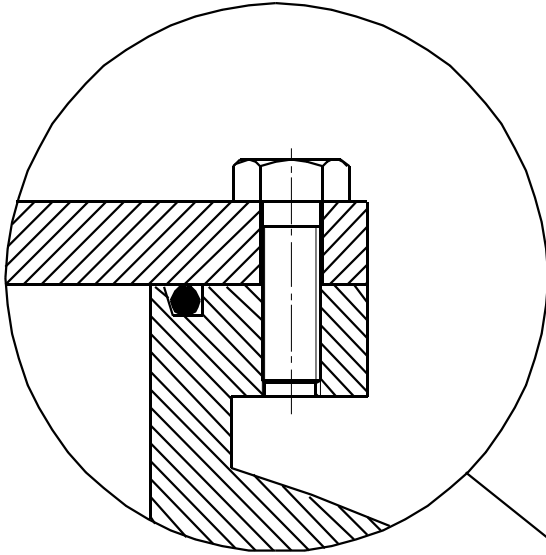


**INTEGRATED BY-PASS**



**DISC-BODY SEAT ATTACHMENT**

### BEARING SYSTEM



**COVER SEALING**

