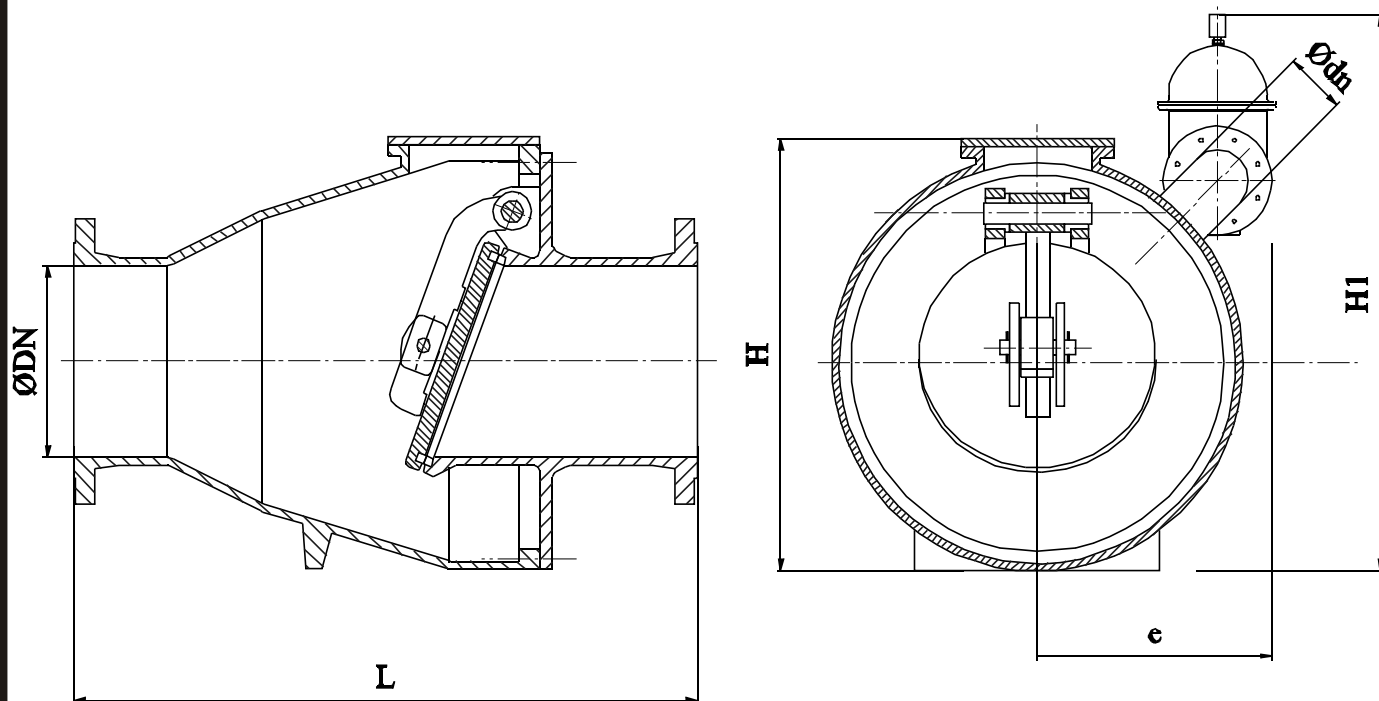


No	Part	Std.	BS Std.	Description
1	Body & Inlet	GGG50	2789-73 Gr. 500/7	Ductile Iron
2	Disc	GGG50	2789-73 Gr. 500/7	Ductile Iron
3	Shaft	X20Cr13	970/4-70 420 S37	Stainless Steel
4	Arm	GGG50	2789-73 Gr. 500/7	Ductile Iron
5	Body Seat	Weld-on 316L		Stainless Steel
6	Disc Seat	Weld-on 316L		Stainless Steel
7	Bearing	Rg5	1400 LG2	Bronze
8	Cover	GGG50	2789-73 Gr. 500/7	Ductile Iron
9	Hinge Pin	X20Cr13	970/4-70 420 S37	Stainless Steel
10	O-Rings	EPDM	-	Rubber
11	Pins	AISI304	970/4-70 Gr. 316 S16	Stainless Steel
12	By-pass valve & line			

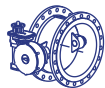
# AM

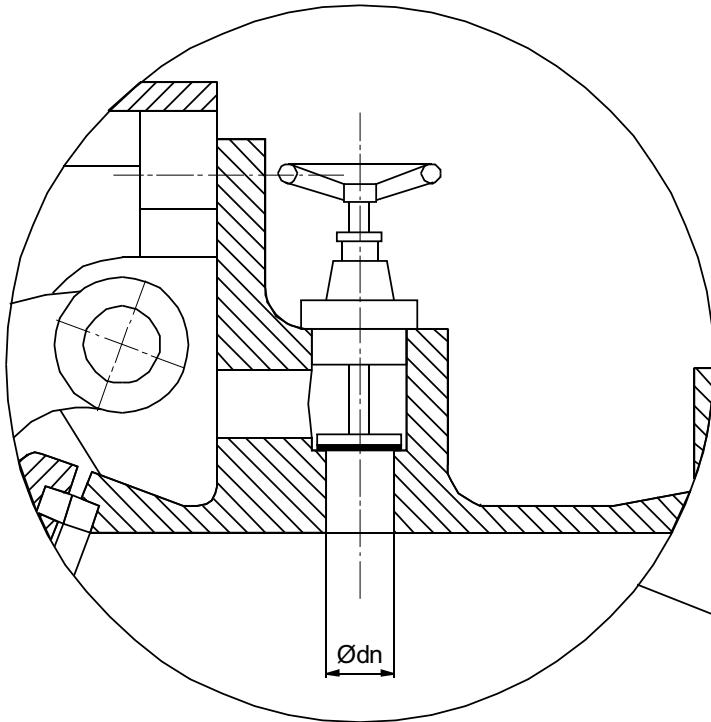
## Non-Slam-Non Return valve (Recoil type) w/by-pass - PN 10-25

Art. C42-  
BS/10-25

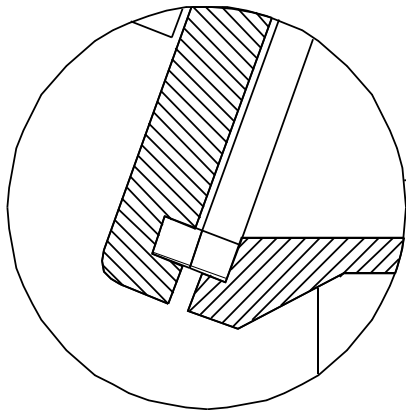
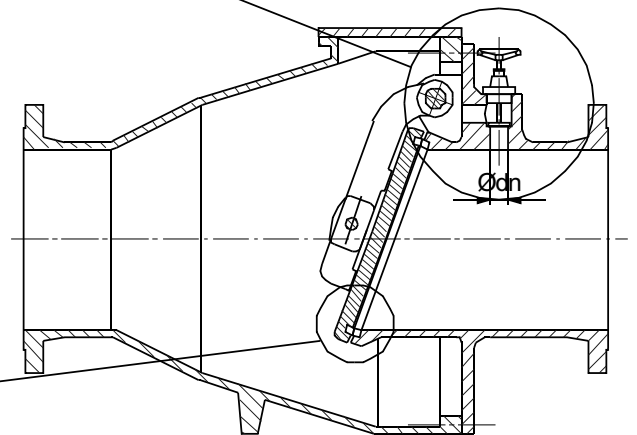


DN	L	H	H1	e	Ødn
150	610	470			19*
200	762	560			19*
250	965	600			25*
300	1067	715			38*
350	1143	880	1026	445	50
400	1143	890	1081	448	50
450	1219	1020	1180	515	65
500	1321	1090	1240	540	65
600	1450	1190	1365	605	80
700	1580	1280	1500	657	100
800	1700	1370	1573	689	100
900	1840	1470	1650	720	100
1000	1985	1570	1735	756	100
1200	2145	1680	1960	850	150
1400	2315	1795	2055	890	150



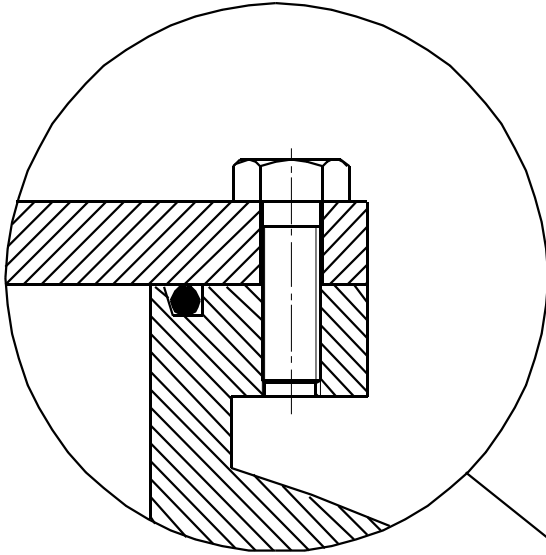


**INTEGRATED BY-PASS**



**DISC-BODY SEAT ATTACHMENT**

### BEARING SYSTEM



**COVER SEALING**

