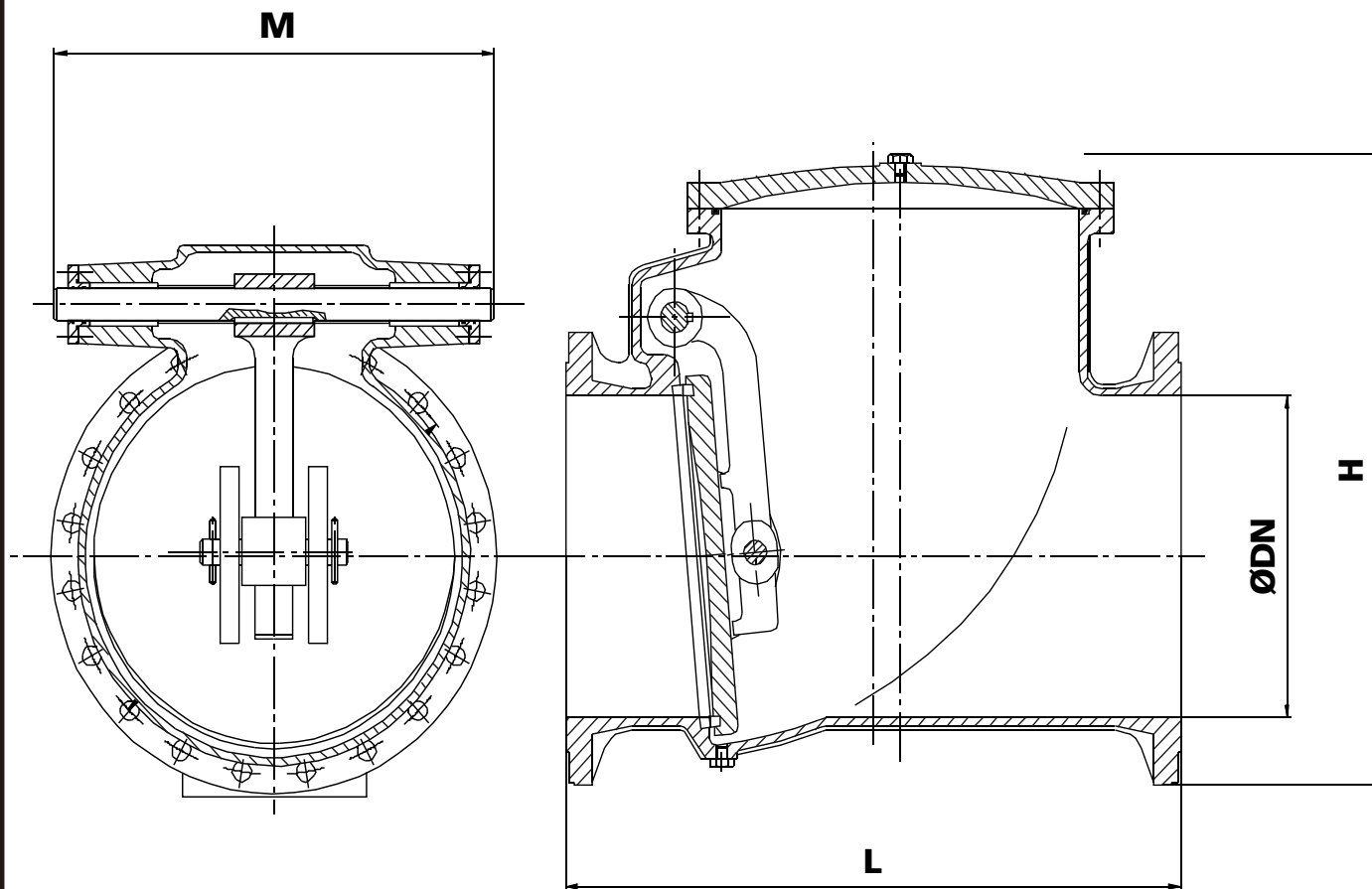


No	Description	Material	Standard	BS Std.	DIN Standard
1	Body	Ductile Iron	GGG50	2789-73 Gr. 500/7	1693 GGG-50
2	Disc	Ductile Iron	GGG50	2789-73 Gr. 500/7	1693 GGG-50
3	Shaft	Stainless Steel	X20Cr13	970/4-70 420 S37	17440
4	Arm	Ductile Iron	GGG50	2789-73 Gr. 500/7	1693 GGG-50
5	Body Seat	Stainless Steel	316SS	970/4-70 316 S16	17440 1.4401
6	Disc Seat	Stainless Steel	316SS	970/4-70 316 S16	17440 1.4401
7	Bearing	Bronze	Rg5	1400 LG2	1705 G-CuSn52nPb
8	Cover	Ductile Iron	GGG50	2789-73 Gr. 500/7	1693 GGG-50
9	Hinge Pin	Stainless Steel	X20Cr13	970/4-70 420 S37	17440
10	O-Rings	Rubber	EPDM	-	-
11	Shaft Cover	Cast Iron	GG25	1452-61 Gr. 17	1691 GG-25
12	Pins	Stainless Steel	AISI 304	970/4-710 Gr. 316 S16	17440 1.4301



* : split body design

DN	BS 5153	BS 5153	BS EN 12334	DIN 3202 F6	H	M	PN 10-16 App. W (kg)	
	L (PN 10-16)	L (PN 25-40)	L (PN 10-16)	L (PN 10-16)				
50	203	230	203	200	280	185	15	
65	216	290	216	260	290	205	18	
80	241	310	241	260	300	215	20	
100	292	350	292	300	315	235	28	
125	330	400	330	350	373	305	70	
150	356	480	356	400	440	305	100	
200	495	600	495	500	515	360	130	
250	622	730	622	600	600	420	160	
300	698	850	698	700	675	470	220	
350	788	980	787	800	765	540	320	
400	915	1100	914	900	845	595	440	
450	965	1200	965	1000	920	650	580	
500	1067	1250	1067	1100	1000	710	700	
600	1219	1346	1219	1300	1140	820	930	
700	1420		1200	1500	1310	945	1500	
800	1560		1400	1700	1470	1060	2050	
900	1730		1400	1900	1545	1170	2600	
1000	1880		1750	2100	1700	1295	3200	
1200	2185				2000	1520	4200	*
1400	2490				2300	1745	6500	*
1500	2640				2400	1850	8900	*
1600	2794				2490	1970		*
1800	3098				2900	2195		*