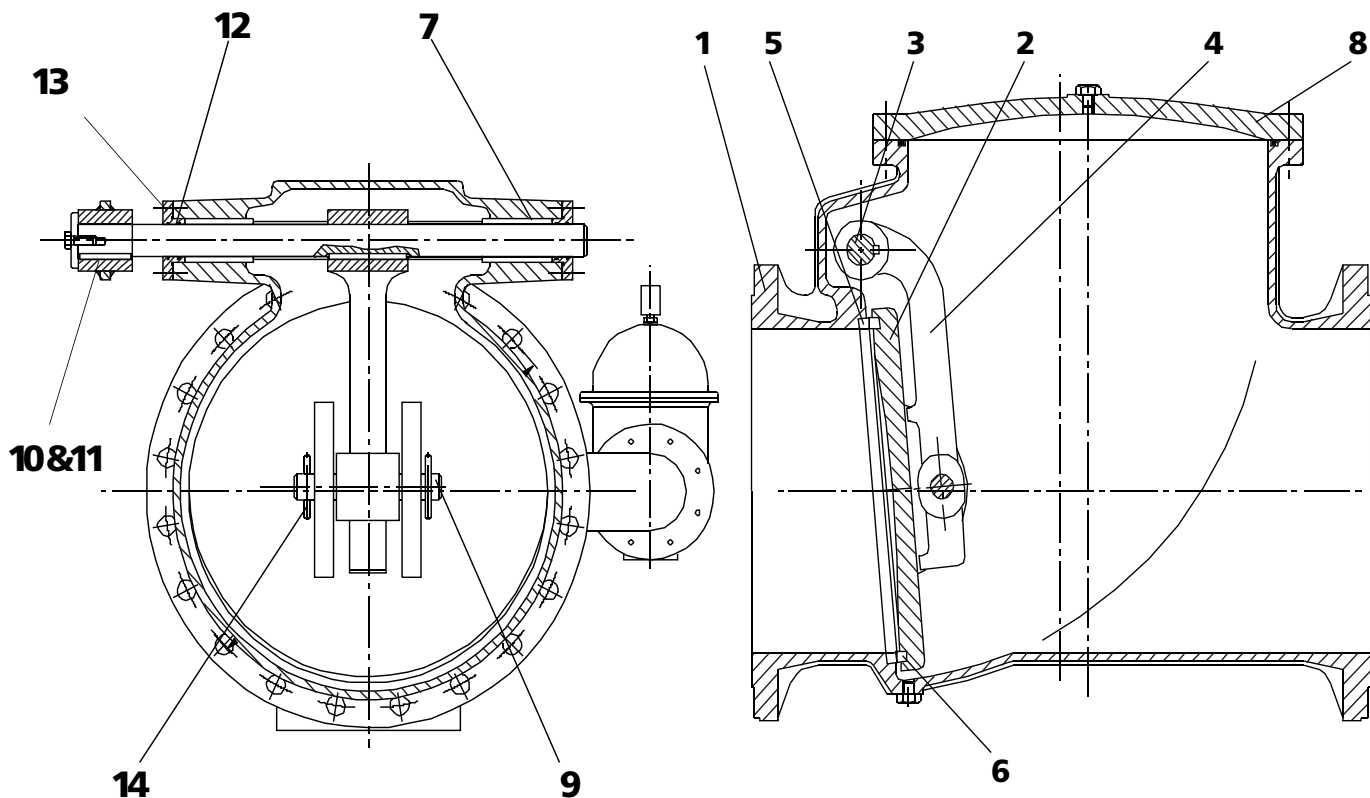




Swing Check Valves With By-Pass Lever & Weight - BS 5153 - PN 10-25

Art. C25-
BS/10-25



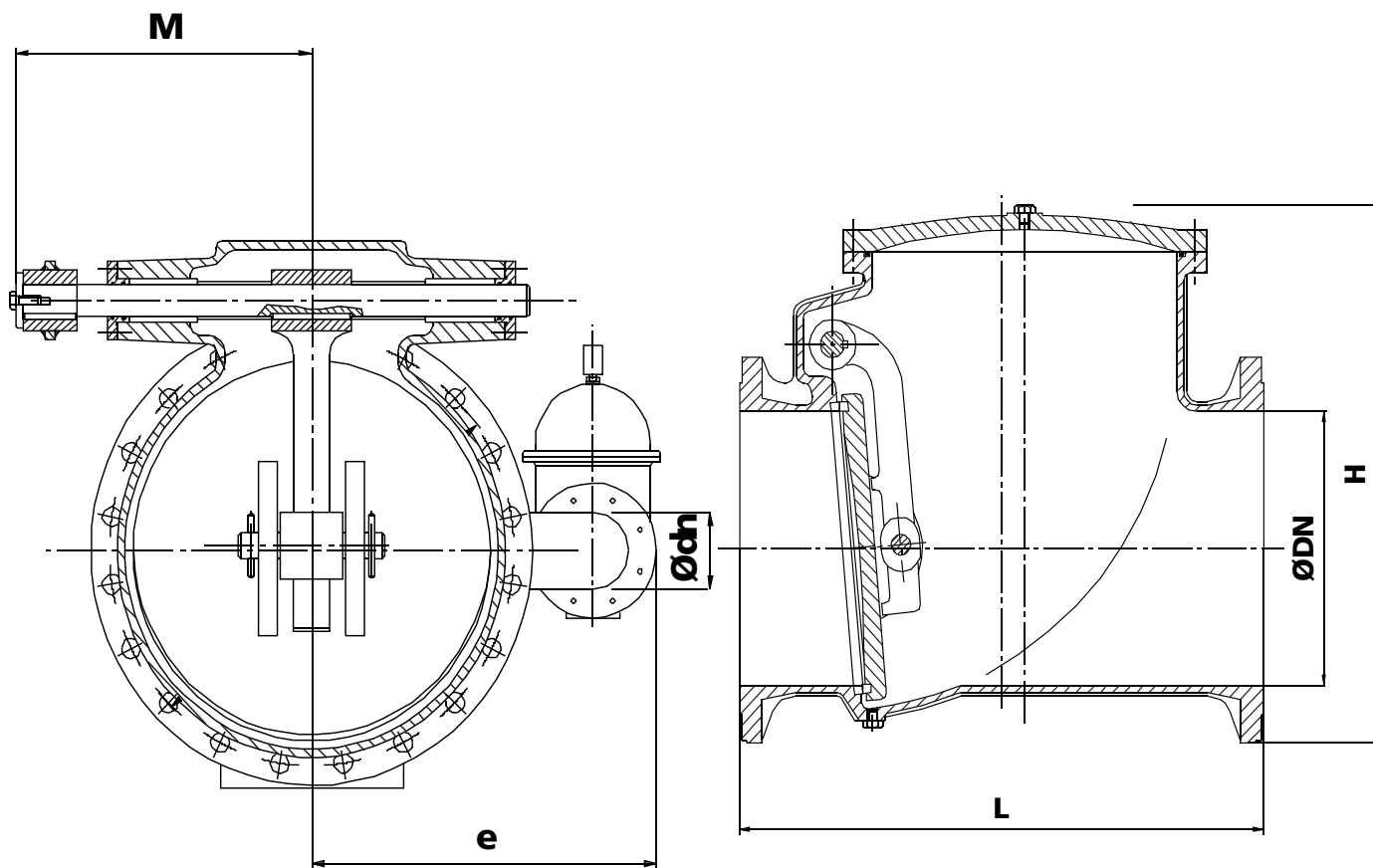
No	Description	Material	Standard	BS Std.	DIN Standard
1	Body	Ductile Iron	GGG50	2789-73 Gr. 500/7	1693 GGG-50
2	Disc	Ductile Iron	GGG50	2789-73 Gr. 500/7	1693 GGG-50
3	Shaft	Stainless Steel	X20Cr13	970/4-70 420 S37	17440
4	Arm	Ductile Iron	GGG50	2789-73 Gr. 500/7	1693 GGG-50
5	Body Seat	Stainless Steel	316SS	970/4-70 316 S16	17440 1.4401
6	Disc Seat	Stainless Steel	316SS	970/4-70 316 S16	17440 1.4401
7	Bearing	Bronze	Rg5	1400 LG2	1705 G-CuSn5ZnPb
8	Cover	Ductile Iron	GGG50	2789-73 Gr. 500/7	1693 GGG-50
9	Hinge Pin	Stainless Steel	X20Cr13	970/4-70 420 S37	17440
10	Lever	Ductile Iron	GGG50	2789-73 Gr. 500/7	1693 GGG-50
11	Weight	Cast Iron	GG25	1452-61 Gr. 17	1691 GG-25
12	O-Rings	Rubber	EPDM	-	-
13	Shaft Cover	Cast Iron	GG25	1452-61 Gr. 17	1691 GG-25
14	Pins	Stainless Steel	AISI 304	970/4-710 Gr. 316 S16	17440 1.4301





Swing Check Valves With By-Pass Lever & Weight - BS 5153 - PN 10-25

Art. C25-
BS/10-25



DN	PN 10-16		PN 25		Ødn	H	M
	L	L	L	L			
150	356	480			19	440	175
200	495	600			19	515	225
250	622	730			25	600	275
300	698	850			38	675	325
350	788	980			50	765	380
400	915	1100			50	845	420
450	965	1200			65	920	465
500	1067	1250			65	1000	495
600	1219	1346			80	1140	565
700	1420				100	1310	650
800	1560				100	1470	700
900					100	1545	755
1000					100	1700	815
1200					150	2000	1100

