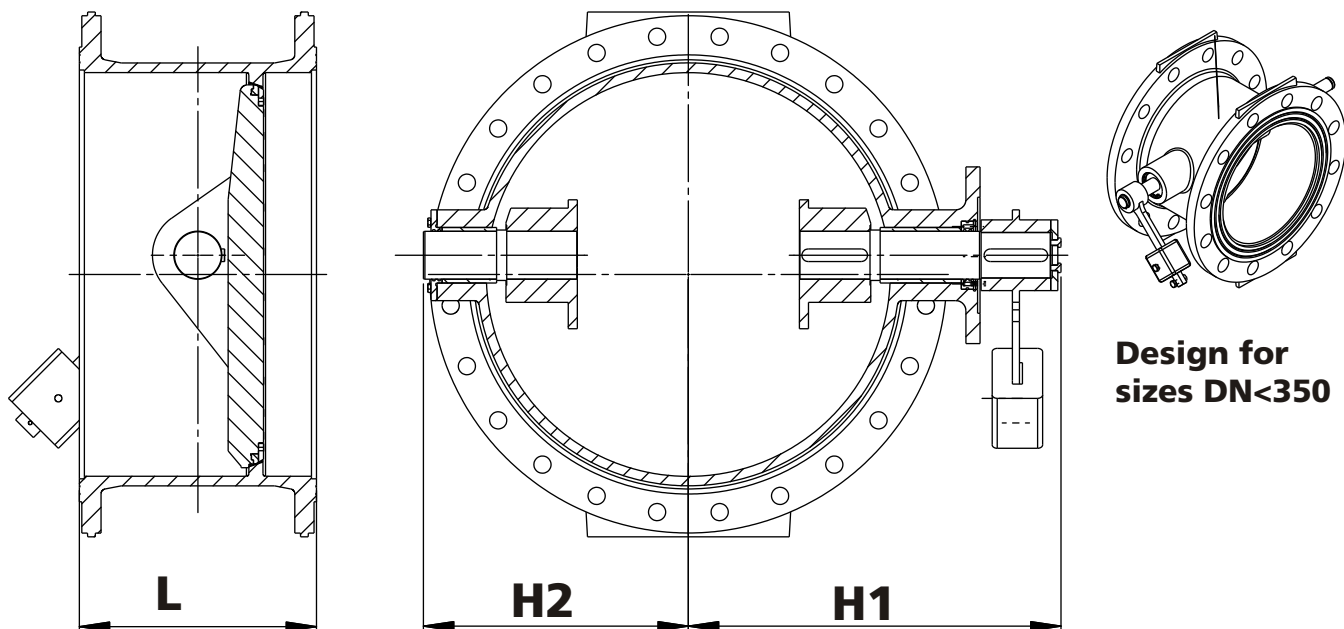


No.	Description	Material	Standard	BS Standard	DIN Standard
1	Body	Ductile Iron	GGG 50	2789-73 Gr. 500/7	1693 GGG-50
2	Disc	Ductile Iron	GGG 50	2789-73 Gr. 500/7	1693 GGG-50
3	Shaft	Stainless Steel	X20Cr13	970/4-70 420 S37	17440
		Stainless Steel	304 SS	970/4-70 304 S15	17440 1.4301
		Stainless Steel	316 SS	970/4-70 316 S16	17440 1.4401
4	Hinge Shaft	Stainless Steel	X20Cr13	970/4-70 420 S37	17440
		Stainless Steel	304 SS	970/4-70 304 S15	17440 1.4301
		Stainless Steel	316 SS	970/4-70 316 S16	17440 1.4401
5	Long Bearing	Bronze	Rg5	1400 LG2	1705 G-CuSn5ZnPb
6	Short Bearing	Bronze	Rg5	1400 LG2	1705 G-CuSn5ZnPb
7	Body Seat	Weld Stainless Steel	316L	-	17440 1.4404
		Bronze	Rg5	1400 LG2	1705 G-CuSn5ZnPb
8	Sealing Ring	Rubber	EPDM / NBR	-	-
9	Retainer	Stainless Steel	304 SS	970/4-70 304 S15	17440 1.4301
		Stainless Steel	316 SS	970/4-70 316 S16	17440 1.4401
10	Shaft Cover	Cast Iron	GG 25	1452-61 Gr. 17	1691 GG-25
11	Key on Disc	Stainless Steel	X20Cr13	970/4-70 420 S37	17440
12	Key on Damper	Stainless Steel	X20Cr13	970/4-70 420 S37	17440
13	Sealing Bush	Stainless Steel	304 SS	970/4-70 304 S15	17440 1.4301
14	Retainer Bolts	Stainless Steel	A2	-	267 Part 11
15	Cover Bolts	Stainless Steel	A2	-	267 Part 11
16	Circlip	Galvanized Steel	-	-	-
17	Lever	Ductile Iron	GGG 50	2789-73 Gr. 500/7	1693 GGG-50
18	Weight	Cast Iron	GG 25	1452-61 Gr. 17	1691 GG-25
19	Lever Retainer	Stainless Steel	304 SS	970/4-70 304 S15	17440 1.4301
20	L. Retainer Bolts	Stainless Steel	A2	-	267 Part 11
21	O-Rings	Rubber	EPDM / NBR	-	-



DN	PN 10 - 16 BS 5155 (short)		PN 10 - 16 DIN 3202 F-4		PN 25 - 40 BS 5155 (long) & DIN 3202 F-4			H1	H2
	Length mm	Approx. W. (Kg)	Length mm	Approx. W. (Kg)	Length mm	Approx. W. (Kg) PN 25	PN 40		
100	127	18	190	21	190	26	33	160	115
125	140	22	200	25	200	33	40	180	125
150	140	29	210	33	210	45	50	210	148
200	152	43	230	49	230	65	80	250	175
250	165	62	250	70	250	90	115	280	203
300	178	86	270	95	270	125	150	320	228
350	190	103	290	115	290	150	185	357	258
400	216	152	310	165	310	215	260	389	288
450	222	180	330	200	330	255	315	431	313
500	229	242	350	260	350	340	420	461	340
600	267	402	390	425	390	555	680	518	395
700	292	549	430	580	430	760	930	587	453
800	318	771	470	810	470	1060	1300	651	513
900	330	935	510	1000	510	1280	1570	712	563
1000	410	1250	550	1310	550	1700	2100	772	620
1100	410	1560	590	1640	590	2130	2620	855	678
1200	470	1710	630	1800	630	2350	2890	913	733
1400	530	2460	710	2580	710	3360	4130	1029	843
1500	575	3130	750	3280	750	4260	5250	1152	910
1600	600	3880	790	4060	790	5280	6500	1217	963
1800	670	5900	870	6150	870	7995	9840	1345	1063
2000	760	9150	950	9430	950	12260	15100	1450	1168
2200	-	-	1030	-	1030	-	-	1621	1280
2400	-	-	1110	-	1110	-	-	1723	1385
2600	-	-	1190	-	1190	-	-	1878	1485
2800	-	-	1270	-	1270	-	-	1988	1595
3000	-	-	1350	-	1350	-	-	2160	1708