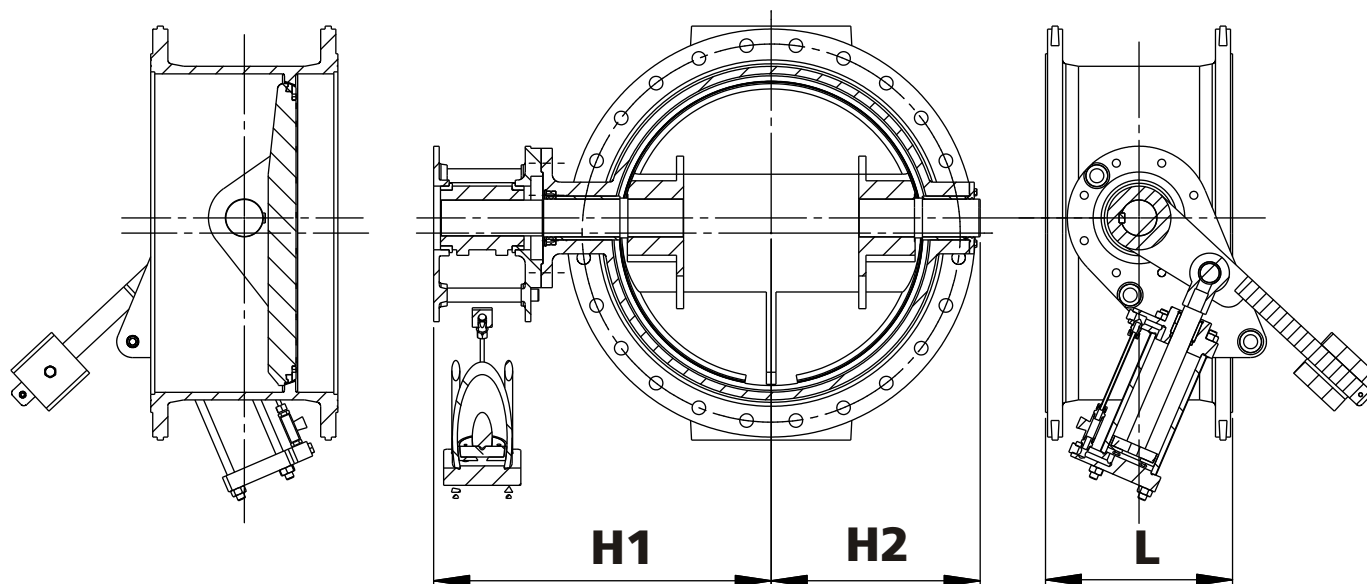


No.	Description	Material	Standard	BS Standard	DIN Standard
1	Body	Ductile Iron	GGG 50	2789-73 Gr. 500/7	1693 GGG-50
2	Disc	Ductile Iron	GGG 50	2789-73 Gr. 500/7	1693 GGG-50
3	Shaft	Stainless Steel	X20Cr13	970/4-70 420 S37	17440
		Stainless Steel	304 SS	970/4-70 304 S15	17440 1.4301
		Stainless Steel	316 SS	970/4-70 316 S16	17440 1.4401
		Stainless Steel	X20Cr13	970/4-70 420 S37	17440
4	Hinge Shaft	Stainless Steel	304 SS	970/4-70 304 S15	17440 1.4301
		Stainless Steel	316 SS	970/4-70 316 S16	17440 1.4401
		Stainless Steel	X20Cr13	970/4-70 420 S37	17440
5	Long Bearing	Bronze	Rg5	1400 LG2	1705 G-CuSn5ZnPb
6	Short Bearing	Bronze	Rg5	1400 LG2	1705 G-CuSn5ZnPb
7	Body Seat	Weld Stainless Steel	316L	-	17440 1.4404
		Bronze	Rg5	1400 LG2	1705 G-CuSn5ZnPb
8	Sealing Ring	Rubber	EPDM / NBR	-	-
9	Retainer	Stainless Steel	304 SS	970/4-70 304 S15	17440 1.4301
		Stainless Steel	316 SS	970/4-70 316 S16	17440 1.4401
10	Shaft Cover	Cast Iron	GG 25	1452-61 Gr. 17	1691 GG-25
11	Key on Disc	Stainless Steel	X20Cr13	970/4-70 420 S37	17440
12	Key on Damper	Stainless Steel	X20Cr13	970/4-70 420 S37	17440
13	Sealing Bush	Stainless Steel	304 SS	970/4-70 304 S15	17440 1.4301
14	Retainer Bolts	Stainless Steel	A2	-	267 Part 11
15	Cover Bolts	Stainless Steel	A2	-	267 Part 11
16	Circlip	Galvanized Steel	-	-	-
17	O-Rings	Rubber	EPDM / NBR	-	-



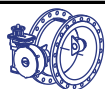
Tilting Disc Check Valve Hydraulic Damped, PN 10-40

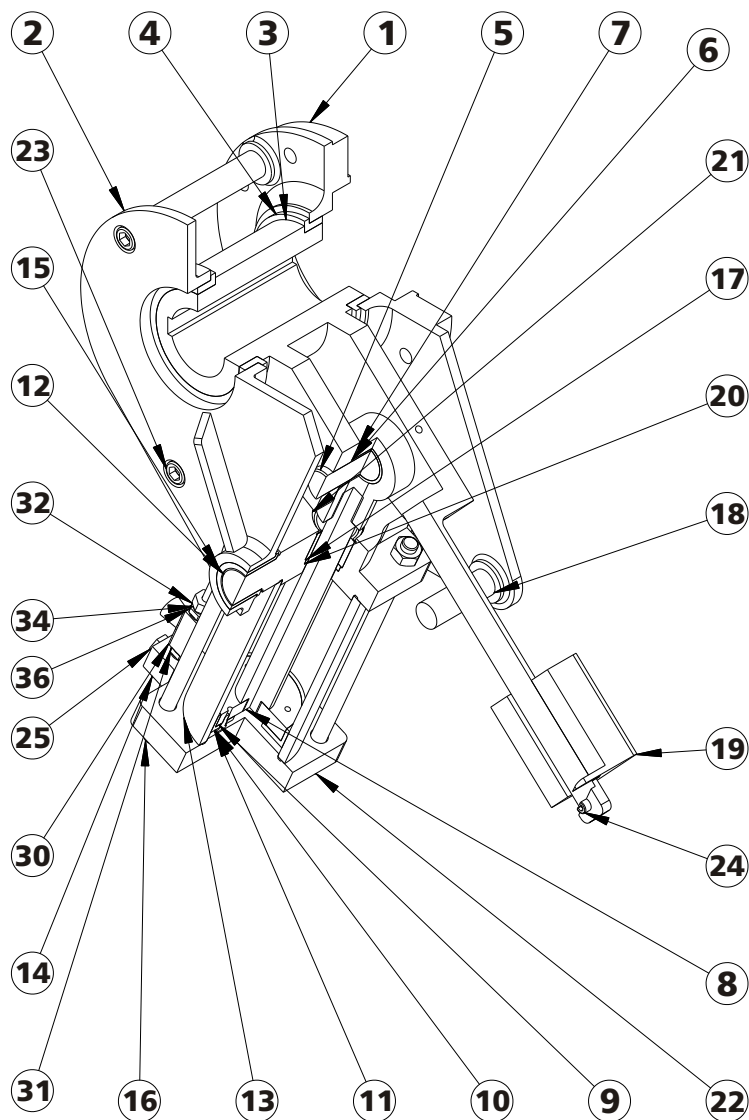
Art. C03-
/10-40



DN	PN 10 - 16 BS 5155 (short)		PN 10 - 16 DIN 3202 F-4		PN 25 - 40 BS 5155 (long) & DIN 3202 F-4			H1	H2
	Length mm	Approx. W. (Kg)	Length mm	Approx. W. (Kg)	Length mm	Approx. W. (Kg) PN 25	PN 40		
80									
100									
125									
150									
200									
250									
300									
350	190	125	290	140	290	182	224	438	258
400	216	185	310	200	310	260	320	471	288
450	222	220	330	240	330	312	384	528	313
500	229	295	350	320	350	416	512	560	340
600	267	490	390	520	390	676	832	619	395
700	292	670	430	710	430	923	1136	697	453
800	318	940	470	990	470	1290	1585	763	513
900	330	1140	510	1220	510	1560	1920	833	563
1000	410	1525	550	1600	550	2080	2560	897	620
1100	410	1900	590	2000	590	2600	3200	1000	678
1200	470	2080	630	2200	630	2860	3520	1060	733
1400	530	3000	710	3150	710	4095	5040	1181	843
1500	575	3810	750	4000	750	5200	6400	1350	910
1600	600	4730	790	4950	790	6435	7920	1425	963
1800	670	7200	870	7500	870	9750	12000	1575	1063
2000	760	11160	950	11500	950	14950	18400	1680	1168
2200	-	-	1030	-	1030	-	-	1900	1280
2400	-	-	1110	-	1110	-	-	2000	1385
2600	-	-	1190	-	1190	-	-	2200	1485
2800	-	-	1270	-	1270	-	-	2310	1595
3000	-	-	1350	-	1350	-	-	2530	1708

DAMPER IS NOT RECOMMENDED





HYDRAULIC DAMPER - HD

No	Description	Material	Standard	No	Description	Material	Standard
1	Plate 1	Ductile Iron	GGG 50	19	Weight	Cast Iron	GG 25
2	Plate 1	Ductile Iron	GGG 50	20	Seal	Rubber	NBR
3	Lever	Ductile Iron	GGG 50	21	Retainer	Steel	
4	Bearing	Bronze	Rg5	22	Nut	Steel	8.8
5	Head Pin	Stainless Steel	AISI 304	23	Bolt	Steel	8.8
6	Pin Bearing	Bronze	Rg5	24	Bolt	Stainless Steel	A2
7	Head	Ductile Iron	GGG 50	25	Tap	Brass	
8	Piston Rod	Stainless Steel	AISI 304	26	Screw	Steel	8.8
9	Piston	Bronze	Rg5	27	Nut	Steel	8.8
10	Piston Sleeve	Polyethelene	PE	28	Bolt	Steel	8.8
11	Special Bolt	Stainless Steel	AISI 304	29	Nut	Steel	8.8
12	Top Cover	Ductile Iron	GGG 50	30	Control Valve		
13	Cylinder	Steel		31	Nipple	Steel	
14	Bottom Cover	Ductile Iron	GGG 50	32	Nipple-Pipe Con.	Steel	
15	Bearing	Bronze	Rg5	33	Bracelet	Steel	
16	Studs	Steel	AISI 1060	34	Retainer Nut	Steel	
17	Bush Bearing	Bronze	Rg5	35	Pipe	Steel	
18	Distance Rods	Steel	AISI 1020	36	Sealing Washer	Copper	