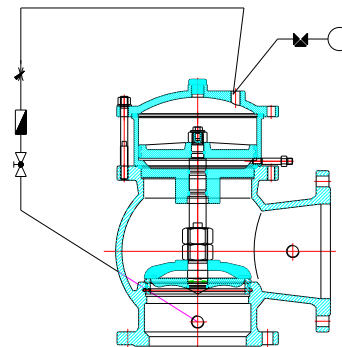
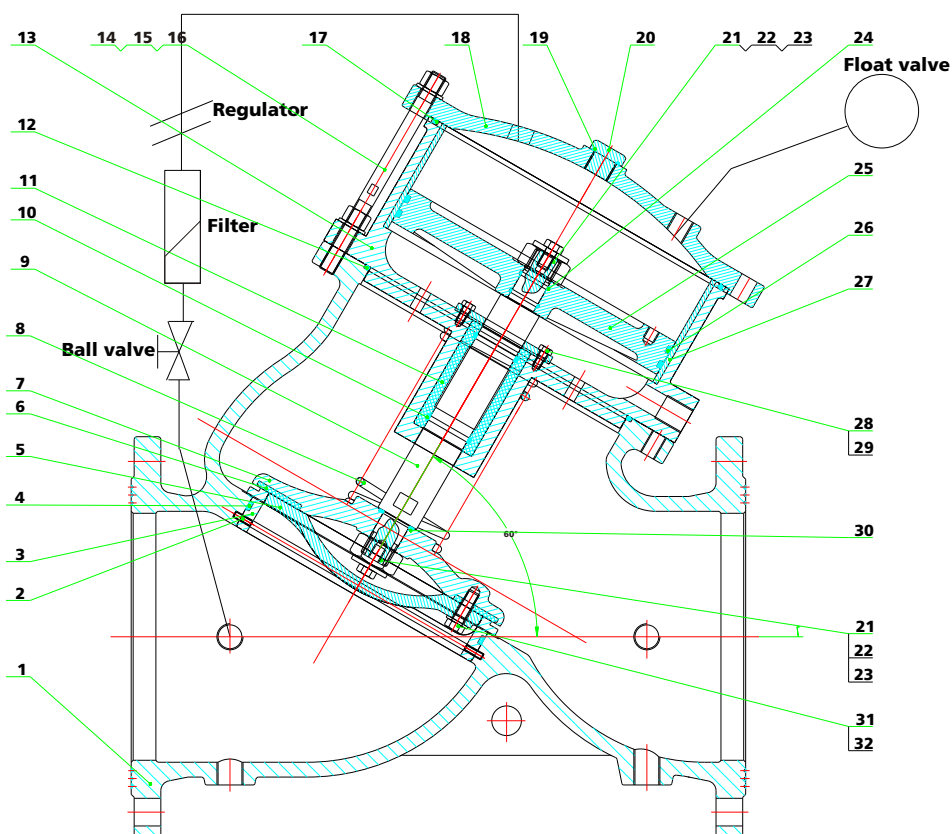


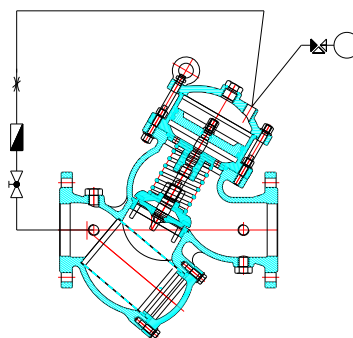
Description:

The piston remote control ball float valve is an automatic water level control valve, which is frequently used to keep a steady level of water in tanks for fire prevention, water supply or other industrial purposes.

The piston is actuated by the float valve pilot (located inside the tank), and will open/close depending on the water level in the tank. Valve is resilient seated for reliable and drop tight sealing. It has a Y-pattern shape for low headloss, good cavitation resistance and low noise level.

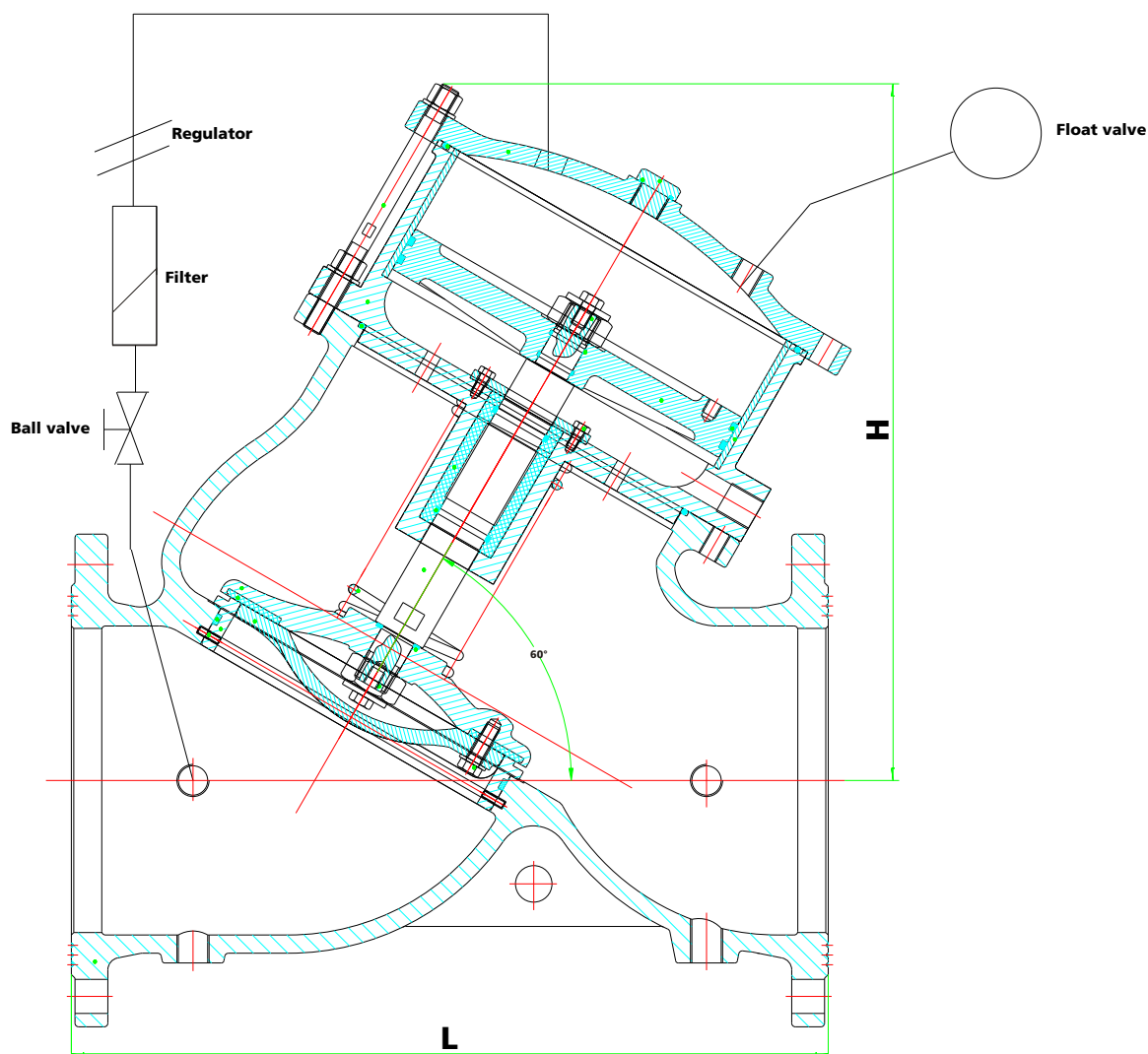


Angle Pattern DN 40-300



Filter Version DN 40-300

| No. | Description | Material | Standard | BS Standard | DIN Standard |
|-----|----------------|------------------|--------------------|-------------------|--------------|
| 1 | Body | Ductile Iron | GGG 50 | 2789-73 Gr. 500/7 | 1693 GGG-50 |
| 2 | Lock Bolt | | | | |
| 3 | Valve Seat | Copper Alloy | ZCuAl9Mn2 | BS 1400 AB1 | |
| 4 | O-ring | NBR | | | |
| 5 | Push Board | Ductile Iron | GGG 50 | 2789-73 Gr. 500/7 | 1693 GGG-50 |
| 6 | Seal Gasket | PTFE | | | |
| 7 | Disc | Ductile Iron | GGG 50 | 2789-73 Gr. 500/7 | 1693 GGG-50 |
| 8 | Spring | | 60Si2Mn | | |
| 9 | Stem | Stainless Steel | 1Cr18Ni9Ti / 316SS | | |
| 10 | O-ring | NBR | | | |
| 11 | Guide Cover | Polyoxymethylene | | | |
| 12 | O-ring | NBR | | | |
| 13 | Cylinder | Ductile Iron | GGG 50 | 2789-73 Gr. 500/7 | 1693 GGG-50 |
| 14 | Bolt Shaft | Stainless Steel | 1Cr18Ni9Ti / 316SS | | |
| 15 | Hex Nut | Stainless Steel | 1Cr18Ni9Ti / 316SS | | |
| 16 | Washer | Stainless Steel | 1Cr18Ni9Ti / 316SS | | |
| 17 | O-ring | NBR | | | |
| 18 | Cylinder Cover | Ductile Iron | GGG 50 | 2789-73 Gr. 500/7 | 1693 GGG-50 |
| 19 | O-ring | NBR | | | |
| 20 | Hex Head Plug | | H62 | | |
| 21 | Hex Nut | Stainless Steel | 1Cr18Ni9Ti | | |
| 22 | Hex Head Bolt | | H62 | | |
| 23 | Gasket | Stainless Steel | H62 | | |
| 24 | O-ring | NBR | | | |
| 25 | Piston | Copper Alloy | ZCuAl9Mn2 | | |
| 26 | O-ring | NBR | | | |
| 27 | Cylinder Bush | Copper Alloy | ZCuAl9Mn2 | | |
| 28 | Hex Head Bolt | | H62 | | |
| 29 | Press Board | | H62 | | |
| 30 | O-ring | NBR | | | |
| 31 | Hex Head Bolt | | H62 | | |
| 32 | Flat Gasket | | | | |



| DN | L | H |
|------|------|------|
| 40 | 280 | 245 |
| 50 | 280 | 245 |
| 65 | 305 | 245 |
| 80 | 325 | 250 |
| 100 | 375 | 260 |
| 150 | 440 | 350 |
| 200 | 600 | 477 |
| 250 | 622 | 510 |
| 300 | 810 | 658 |
| 350 | 940 | 708 |
| 400 | 948 | 818 |
| 450 | 1050 | 900 |
| 500 | 1100 | 950 |
| 600 | 1295 | 1125 |
| 700 | 1448 | 1260 |
| 800 | 1590 | 1408 |
| 900 | 1448 | 1600 |
| 1000 | 2200 | 1850 |
| 1200 | 2600 | 2100 |