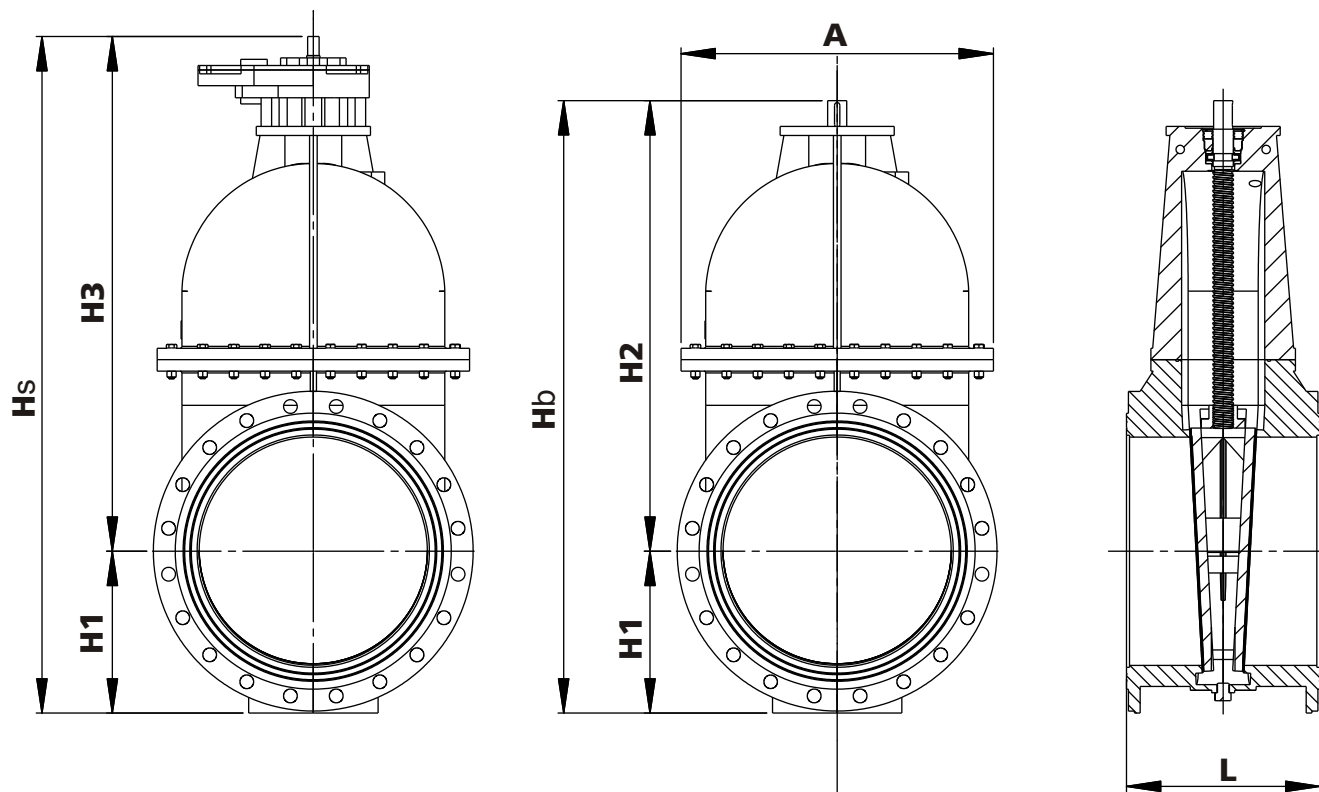


No	Description	Material	Standard	BS Standard	DIN Standard
1	Body	Ductile Iron	GGG 50	2789-73 Gr. 500/7	1693 GGG-50
2	Bonnet	Ductile Iron	GGG 50	2789-73 Gr. 500/7	1693 GGG-50
3	Gate	Ductile Iron	GGG 50	2789-73 Gr. 500/7	1693 GGG-50
4	Body Seat	Stainless Steel	Weld-on 316L		
5	Disc Seat	Stainless Steel	Weld-on 316L		
6	Stem	Stainless Steel	X20Cr13	970/4-70 420 S37	17440
		Stainless Steel	304SS	970/4-70 304 S15	17440 1.4301
		Stainless Steel	316SS	970/4-70 316 S16	17440 1.4401
7	Travelling Nut	Bronze	Rg5	1400 LG2	1705 G-CuSn5ZnPb
8	Thrust Ring	Bronze	Rg5	1400 LG2	1705 G-CuSn5ZnPb
9	Top Cover	Ductile Iron	GGG 50	2789-73 Gr. 500/7	1693 GGG-50
10	Sealing Bush	Stainless Steel	304SS	970/4-70 304 S15	17440 1.4301
11	Bolt	Stainless Steel	A2		
12	Nut	Stainless Steel	A2		
13	Retainer	Spring Steel			
14	Tap	Bronze	Rg5	1400 LG2	1705 G-CuSn5ZnPb
15	O-Ring	EPDM			
16	Gearbox				



Metal Seated Gate Valve Non-Rising Spindle - PN 10-25

Art. G13-
BS/10-25



	PN 16	PN 25							PN 16	PN 16-spur	PN 25	PN 25-spur
DN	L	L	H1	H2	H3	Hb	Hs	A	(Kg)	(Kg)	(Kg)	(Kg)
200	292	419	170	610	850	780	1020	400	160		208	
250	330	457	205	690	930	895	1135	470	230		299	
300	356	502	230	800	1040	1030	1270	510	290		377	
350	381	572	260	840	1080	1100	1340	540	350	370	455	485
400	406	610	290	910	1150	1200	1440	605	400	420	520	550
450	432	660	320	1010	1250	1330	1570	655	480	500	624	654
500	457	711	360	1090	1330	1450	1690	710	600	630		819
600	508	787	420	1250	1505	1670	1925	825	900	930		1209
700	610	810	455	1440	1695	1895	2150	1000		1500		1950
800	660	810	515	1600	1885	2115	2400	1100		2000		2600
900	711	810	565	1800	2085	2365	2650	1250		2450		3185
1000	811	1120	630	1940	2225	2570	2855	1285		3250		4225
1200	838	1120	745	1890	2280	2635	3025	1570		5400		7020
1400	1120	1120	845	2140	2530	2985	3375	1810		9000		11700
1600	1200	1200	965	2285	2675	3250	3640	2070		14000		
1800	1200	1200	1065	2440	2830	3505	3895	2285		20000		

