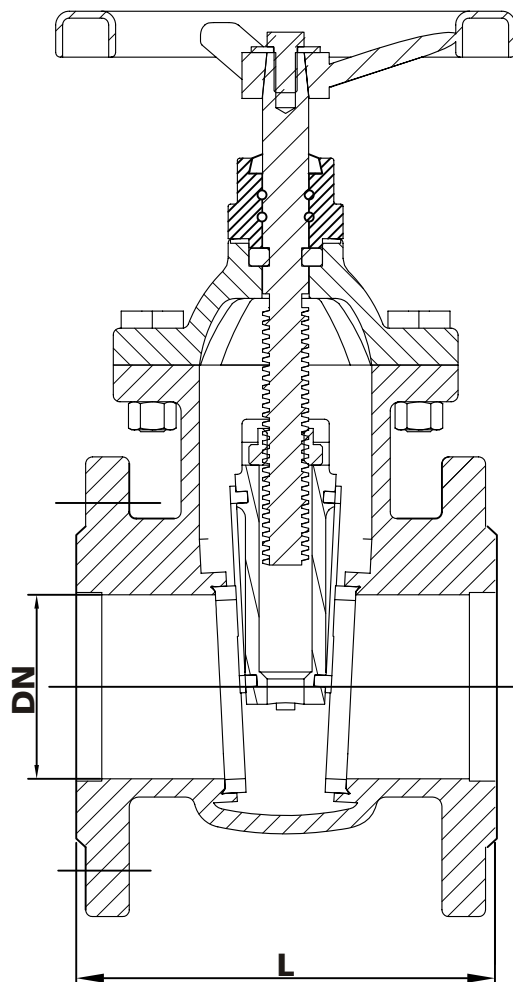
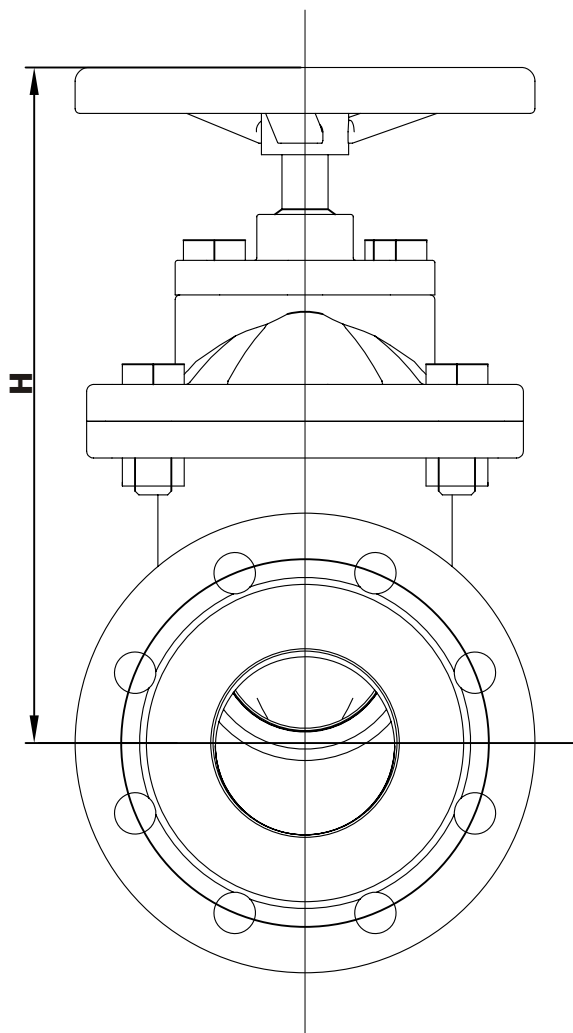


No	Description	Material	Standard	BS Standard	DIN Standard
1	Body	Cast Iron	GG-25	1452-61 Gr. 17	1691 GG-25
		Ductile Iron	GGG-50	2789-73 Gr. 500/7	1693 GGG-50
2	Body Seat	Bronze	Rg5	1400 LG2	1705 G-CuSn5ZnPb
		Stainless Steel	304 SS	970/4-70 304 S15	17440 1.4301
3	Wedge Seat	Stainless Steel	316 SS	970/4-70 316 S16	17440 1.4401
		Bronze	Rg5	1400 LG2	1705 G-CuSn5ZnPb
4	Wedge	Stainless Steel	304 SS	970/4-70 304 S15	17440 1.4301
		Stainless Steel	316 SS	970/4-70 316 S16	17440 1.4401
5	Spindle Nut	Cast Iron	GG-25	1452-61 Gr. 17	1691 GG-25
		Ductile Iron	GGG-50	2789-73 Gr. 500/7	1693 GGG-50
6	Spindle	Brass	Ms58		2.0401 CuZn39Pb3
		Bronze	Rg5	1400 LG2	1705 G-CuSn5ZnPb
7	Bonnet Gasket	Stainless Steel	420 SS	970/4-70 420 S37	17440
		Stainless Steel	304 SS	970/4-70 304 S15	17440 1.4301
8	Bonnet	Stainless Steel	316 SS	970/4-70 316 S16	17440 1.4401
		Stainless Steel + Graphite	304 SS	970/4-70 304 S15	17440 1.4301
9	Spindle Collar	Cast Iron	GG-25	1452-61 Gr. 17	1691 GG-25
		Ductile Iron	GGG-50	2789-73 Gr. 500/7	1693 GGG-50
10	O-Ring	NBR			
11	Gland Flange	Ductile Iron			
12	Handwheel	Ductile Iron			



DN	L	H
50	178	250
65	190	265
80	203	300
100	229	350
125	254	410
150	267	450
200	292	550
250	330	650
300	356	710