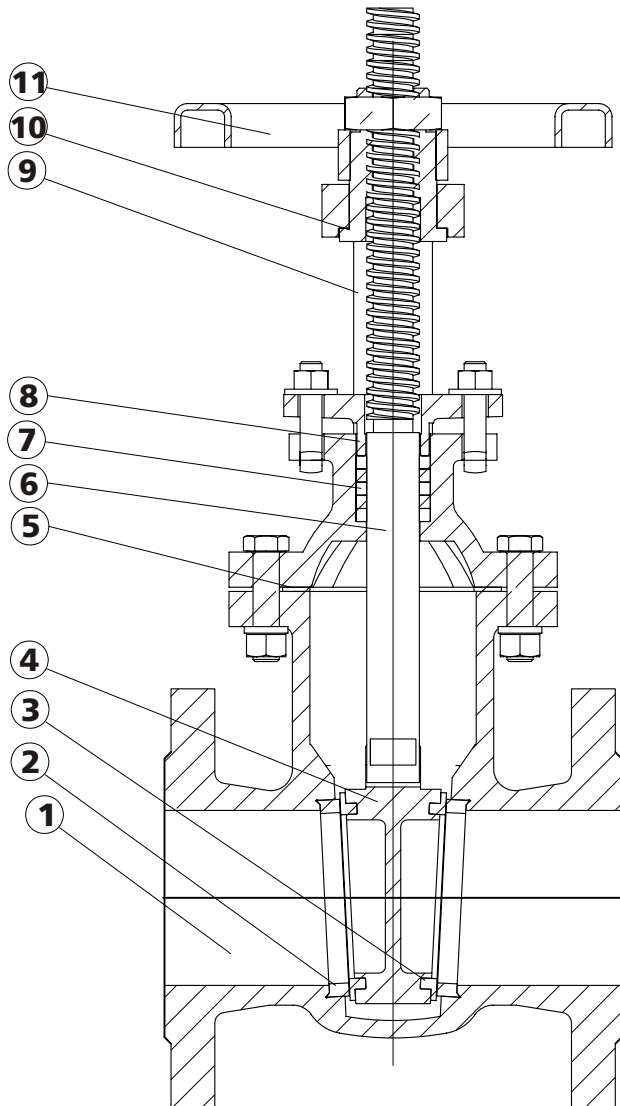
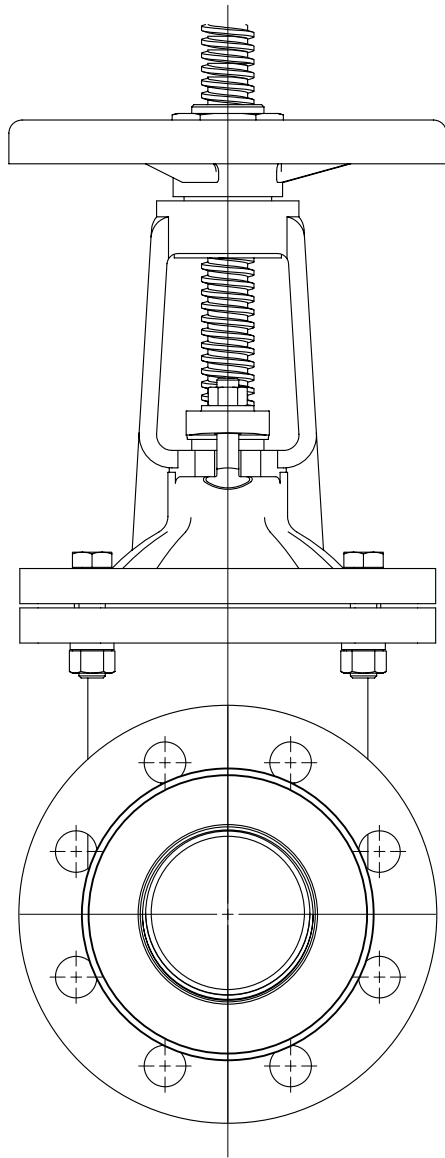




# Metal Seated Gate Valves

## Rising Spindle - BS 5163 - PN 10-16

Art. G12-  
BS/10-16



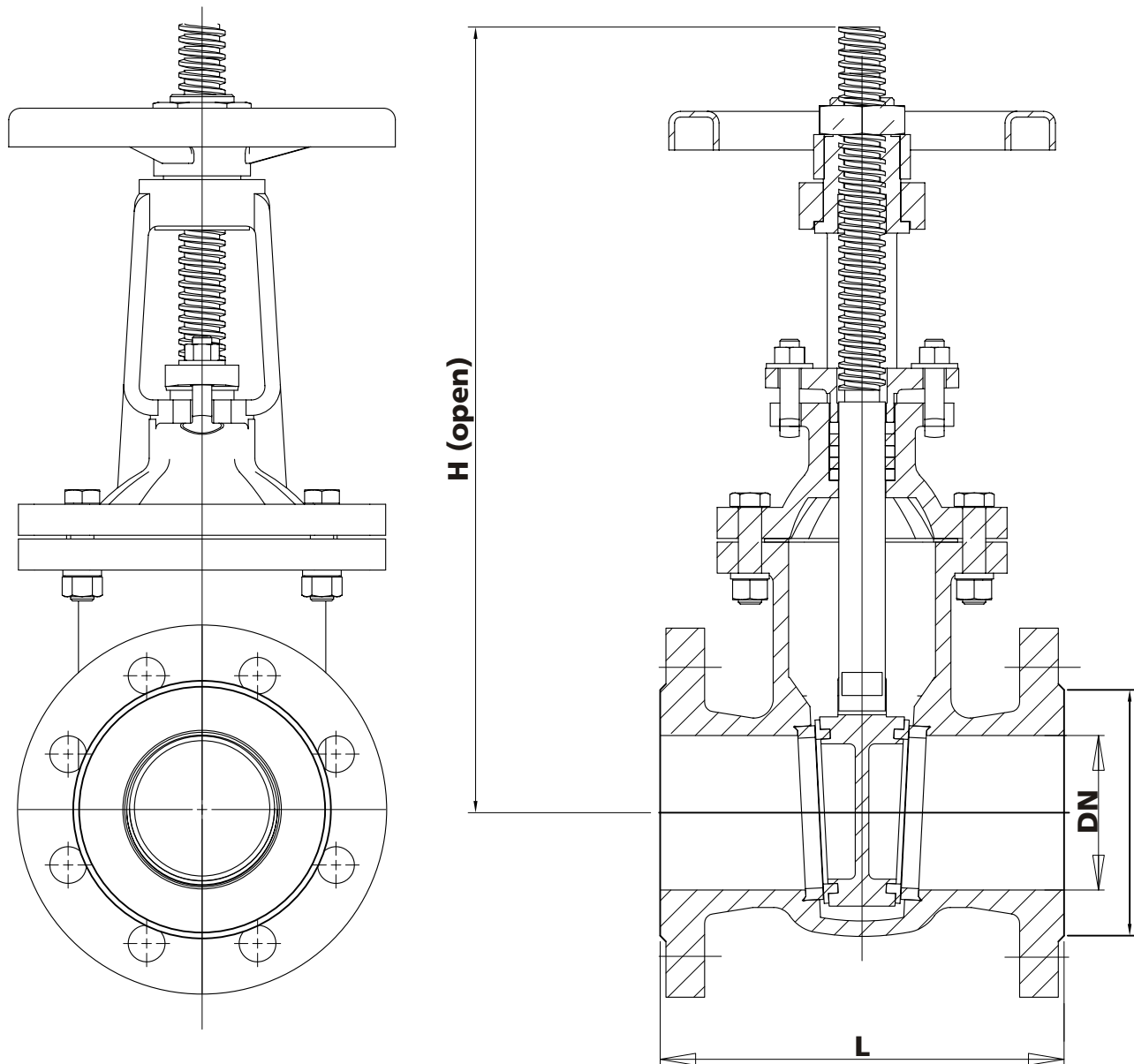
No	Description	Material	Standard	BS Standard	DIN Standard
1	Body	Cast Iron	GG-25	1452-61 Gr. 17	1691 GG-25
		Ductile Iron	GGG-50	2789-73 Gr. 500/7	1693 GGG-50
		Bronze	Rg5	1400 LG2	1705 G-CuSn5ZnPb
2	Body Seat	Stainless Steel	304 SS	970/4-70 304 S15	17440 1.4301
		Stainless Steel	316 SS	970/4-70 316 S16	17440 1.4401
		Bronze	Rg5	1400 LG2	1705 G-CuSn5ZnPb
3	Wedge Seat	Stainless Steel	304 SS	970/4-70 304 S15	17440 1.4301
		Stainless Steel	316 SS	970/4-70 316 S16	17440 1.4401
		Bronze	Rg5	1400 LG2	1705 G-CuSn5ZnPb
4	Wedge	Cast Iron	GG-25	1452-61 Gr. 17	1691 GG-25
		Ductile Iron	GGG-50	2789-73 Gr. 500/7	1693 GGG-50
5	Gasket	Steel + Graphite			17440
		Stainless Steel	420 SS	970/4-70 420 S37	
6	Spindle	Stainless Steel	304 SS	970/4-70 304 S15	17440 1.4301
		Stainless Steel	316 SS	970/4-70 316 S16	17440 1.4401
7	Packing	Graphite			
8	Gland	Cast Iron	GG-25	1452-61 Gr. 17	1691 GG-25
		Ductile Iron	GGG-50	2789-73 Gr. 500/7	1693 GGG-50
9	Bonnet	Cast Iron	GG-25	1452-61 Gr. 17	1691 GG-25
		Ductile Iron	GGG-50	2789-73 Gr. 500/7	1693 GGG-50
10	Yoke Nut	Ductile Iron			
11	Handwheel	Ductile Iron	GGG-50		





# Metal Seated Gate Valves Rising Spindle - BS 5163 - PN 10-16

Art. G12-  
BS/10-16



DN	L	H (open)
50	178	347
65	190	390
80	203	470
100	229	535
125	254	644
150	267	739
200	292	936
250	330	1133
300	356	1330

