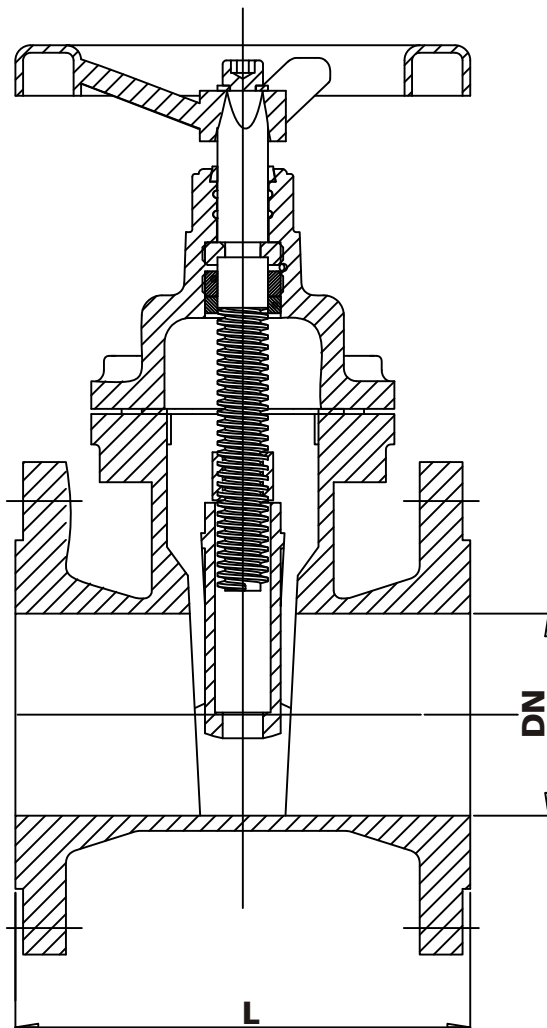
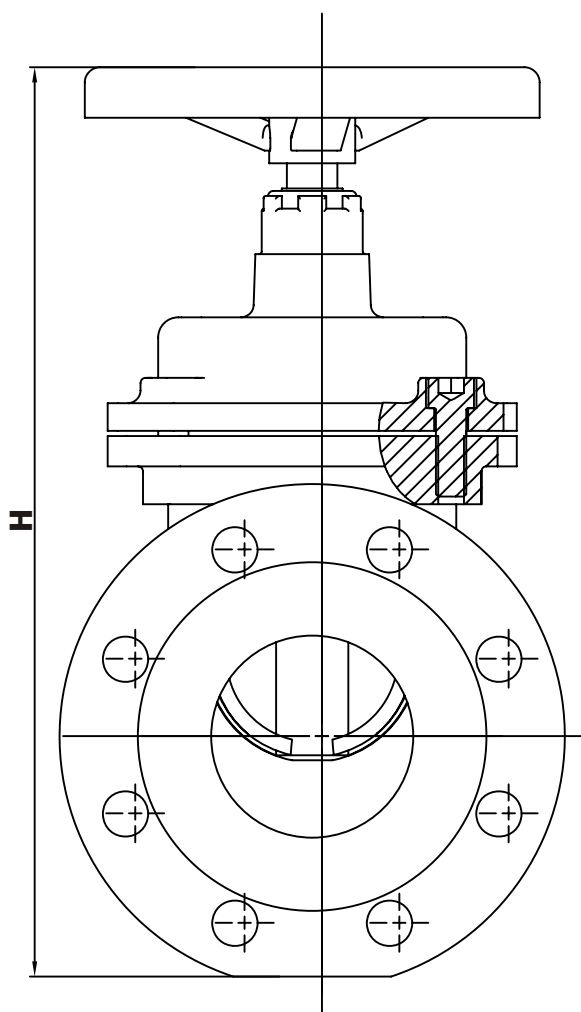


No	Description	Material	Standard	BS Standard	DIN Standard
1	Body	Ductile Iron	GGG50	2789-73 Gr. 500/7	1693 GGG-50
2	Wedge	Ductile Iron	GGG50 - NBR or EPDM rubber coated	2789-73 Gr. 500/7	1693 GGG-50
3	Spindle Nut	Brass Bronze	Ms58 Rg5		2.0401 CuZn39Pb3
4	Bolt	Steel - Zinc Plated			
5	Gasket	Rubber	NBR / EPDM		
6	Bonnet	Ductile Iron	GGG50	2789-73 Gr. 500/7	1693 GGG-50
7	Nut	Brass	Ms58		2.0401 CuZn39Pb3
8	Guide Ring	Nylon			
9	Trust Ring	Brass	Ms58		2.0401 CuZn39Pb3
10	O-Ring	Rubber	NBR / EPDM		
11	Dust Ring	Rubber	NBR / EPDM		
12	Spindle	Stainless Steel	420 SS	970/4-70 420 S37	17440
		Stainless Steel	304 SS	970/4-70 304 S15	17440 1.4301
		Stainless Steel	316 SS	970/4-70 316 S16	17440 1.4401
13	Washer	Steel - Zinc Plated			
14	Bolt	Steel - Zinc Plated			
15	Handwheel	Ductile Iron	GGG50	2789-73 Gr. 500/7	1693 GGG-50



DN	BS 5163		DIN 3202 F4	
	L	L	H	
40	165	140	285	
50	178	150	295	
65	190	170	328	
80	203	180	350	
100	229	190	400	
125	254	200	428	
150	267	210	485	
200	292	230	560	
250	330	250	635	
300	356	270	700	
350	381	290	970	
400	406	310	1020	
450	432	330	1120	
500	457	350	1220	
600	508	390	1370	