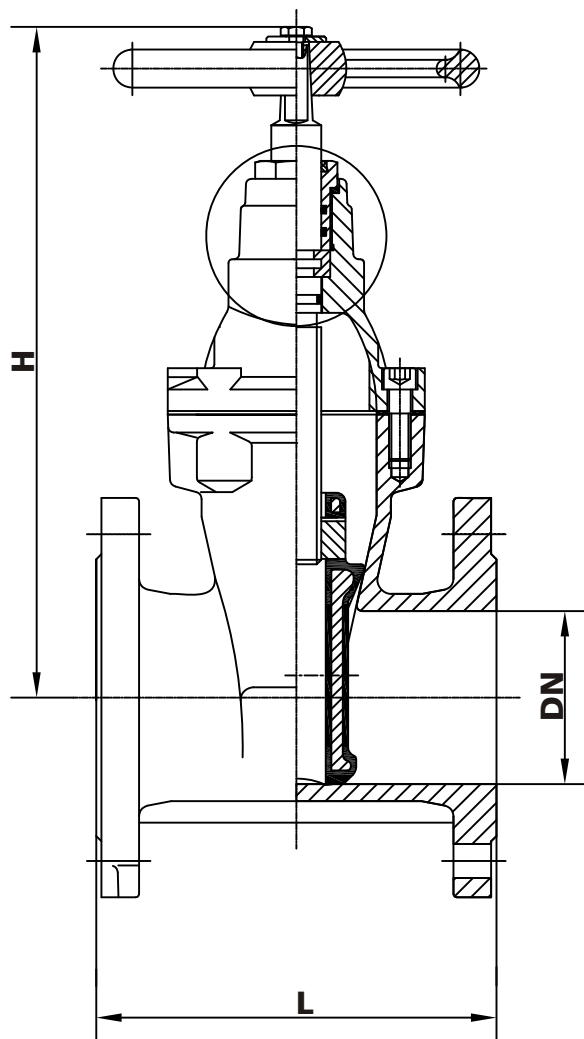


No	Description	Material	Standard	BS Standard	DIN Standard
1	Body	Ductile Iron	GGG50	2789-73 Gr. 500/7	1693 GGG-50
2	Wedge	Ductile Iron	GGG50 - NBR or EPDM rubber coated	2789-73 Gr. 500/7	1693 GGG-50
3	Bonnet	Ductile Iron	GGG50	2789-73 Gr. 500/7	1693 GGG-50
4	Spindle	Stainless Steel	420 SS	970/4-70 420 S37	17440
		Stainless Steel	304 SS	970/4-70 304 S15	17440 1.4301
		Stainless Steel	316 SS	970/4-70 316 S16	17440 1.4401
5	Spindle Nut	Brass	Ms58		2.0401 CuZn39Pb3
		Bronze	Rg5		
6	Holding Ring	Brass	Ms58		2.0401 CuZn39Pb3
		Bronze	Rg5		
7	Sealing Ring	Brass	Ms58		2.0401 CuZn39Pb3
		Bronze	Rg5		
8	Handwheel	Ductile Iron	GGG50	2789-73 Gr. 500/7	1693 GGG-50
9	Bonnet Gasket	Rubber	NBR / EPDM		
10	O-Ring	Rubber	NBR / EPDM		
11	Dust Ring	Rubber	NBR / EPDM		



DN	BS 5163		DIN 3202 F4	
	L	L	L	H
40	165	140	285	
50	178	150	290	
65	190	170	295	
80	203	180	340	
100	229	190	370	
125	254	200	410	
150	267	210	465	
200	292	230	580	
250	330	250	665	
300	356	270	785	
350	381	290	970	
400	406	310	1020	
450	432	330	1120	
500	457	350	1220	
600	508	390	1370	