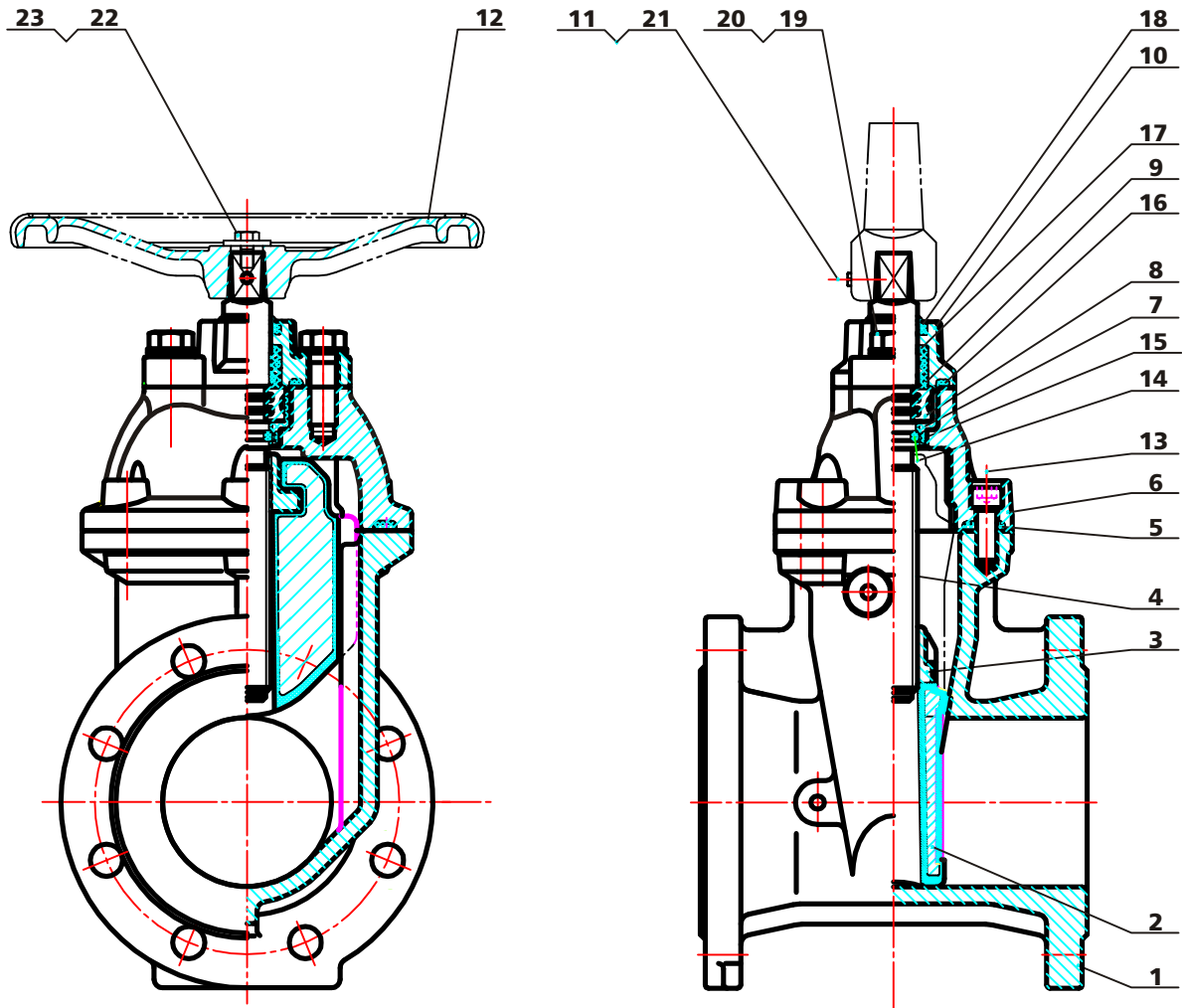




# Resilient Seated Gate Valves

BS 5163/DIN 3202 F4 (PN 10/16) & DIN 3202 F5 (PN 25)

Art. G03-  
/10-25



No	Description	Material	Standard	BS Standard	DIN Standard
1	Body	Ductile Iron	GGG50	2789-73 Gr. 500/7	1693 GGG-50
2	Wedge	Ductile Iron	GGG50 - NBR or EPDM		1693 GGG-50
3	Spindle Nut	Bronze	ZCuAl9Mn2		
4	Spindle	Stainless Steel	420 SS	970/4-70 420 S37	17440
		Stainless Steel	304 SS	970/4-70 304 S15	17440 1.4301
		Stainless Steel	3016 SS	970/4-70 316 S16	17440 1.4401
5	Bonnet Gasket	Rubber	NBR or EPDM		
6	Bonnet	Ductile Iron	GGG50	2789-73 Gr. 500/7	1693 GGG-50
7	Bushing	PTFE			
8	Sleeve	Bronze	ZCuAl9Mn2		
9	Compression Ring	PTFE			
10	Cover	Ductile Iron	GGG45		
11	Cap Top	Ductile Iron	GGG45		
12	Handwheel	Ductile Iron	GGG45		
13	Hex Socket Screw	Steel - Zinc Plated			
14	O-ring	Rubber	NBR or EPDM		
15	O-ring	Rubber	NBR or EPDM		
16	O-ring	Rubber	NBR or EPDM		
17	O-ring	Rubber	NBR or EPDM		
18	Dust Gasket	Rubber	NBR		
19	Bolt	Steel - Zinc Plated			
20	Small Washer	Steel - Zinc Plated			
21	Slotted Set Screw	Steel - Zinc Plated			
22	Hex Head Bolt	Steel - Zinc Plated			
23	Large Washer	Steel - Zinc Plated			

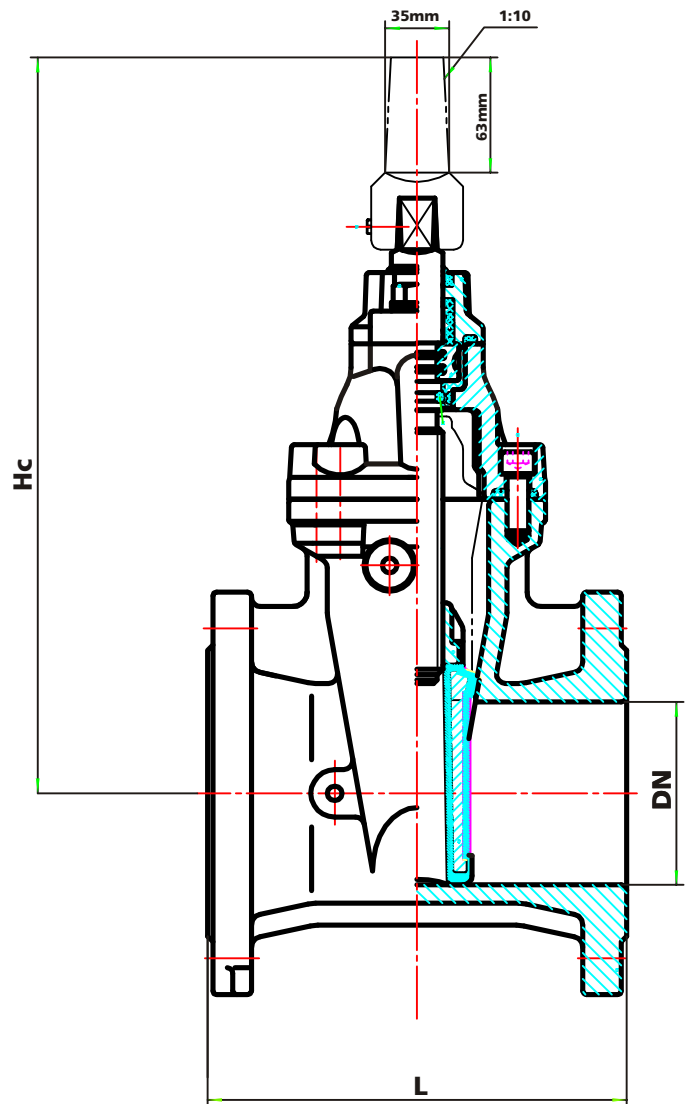
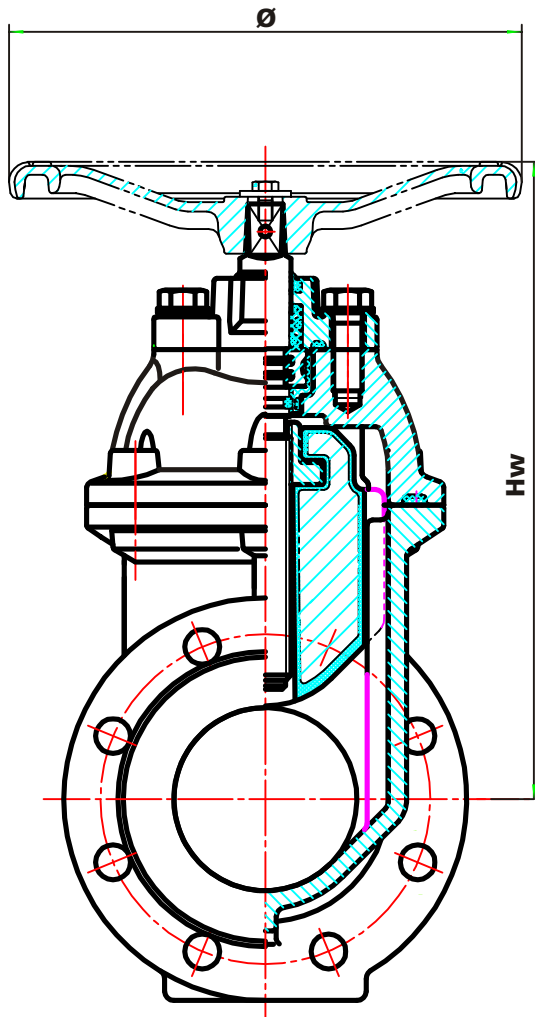




# Resilient Seated Gate Valves

BS 5163/DIN 3202 F4 (PN 10/16) & DIN 3202 F5 (PN 25)

Art. G03-  
/10-25



DN	BS 5163 PN 10 - 16		DIN 3202 F4 PN 10 - 16		DIN 3202 F5 PN 25		Hw	Hc	Ø
	L	Kg	L	Kg	L	Kg			
50	178	13,5	150	11,5	250	15,5	290	314	200
65	190	18	170	16	270	20	315	339	200
80	203	20	180	18	280	22	365	377	240
100	229	30	190	27,5	300	32,5	400	402	280
125	254	42	200	39,5	325	45	457	455	280
150	267	50,5	210	48	350	54	504	503	280
200	292	90	230	87	400	95	592	590	360
250	330	138	250	130	450	150	675	667	360
300	356	182	270	172	500	200	791	782	450
350	381	250	290	236	550	275	872	861	450
400	406	320	310	305	600	357	1000	988	640
500	457	550	350	526	700	605	1230	1191	720
600	508	698	390	662	800	786	1408	1369	720

