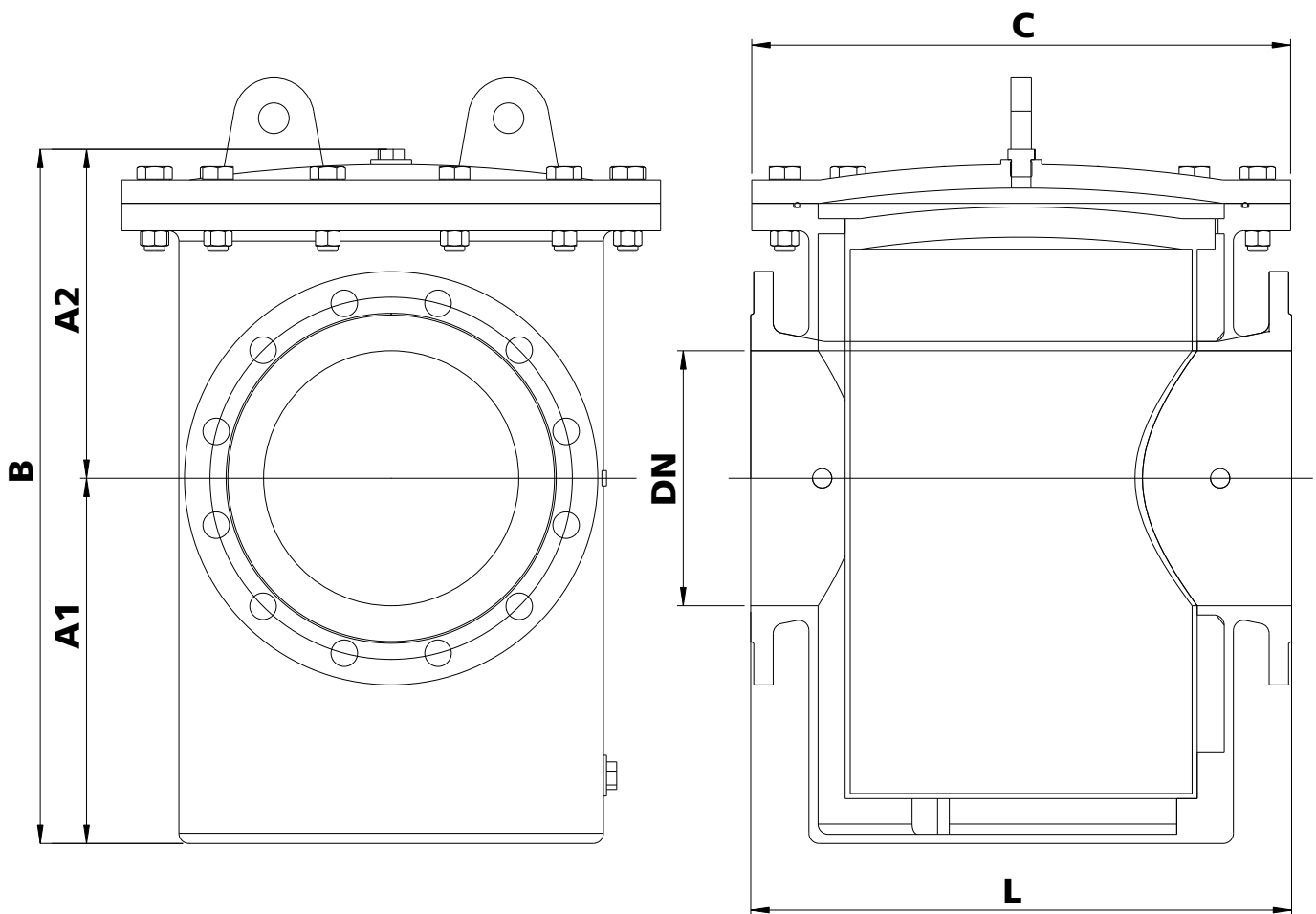


Item	Description	Material	Standard	BS Standard	DIN Standard	ASTM Standard
1	Body	Ductile Iron	GGG 50	2789-73 Gr. 500/7	1693 GGG-50	A536-77 Gr. 65-45-12
2	Strainer	Stainless Steel	316 SS	970/4-70 316 S16	17440 1.4401	A276-80a Type 316
3	O-Ring	Rubber	NBR	-	-	-
4	Cover	Ductile Iron	GGG 50	2789-73 Gr. 500/7	1693 GGG-50	A536-77 Gr. 65-45-12
5	Bolt	Stainless Steel	304 SS	970/4-70 304 S15	17440 1.4301	A276-80a Type 304
6	Nut	Stainless Steel	304 SS	970/4-70 304 S15	17440 1.4301	A276-80a Type 304
7	Tap	Brass	-	-	-	-



DN	L	A1	A2	B	C
50	250	79	64	143	153
80	280	140	155	295	245
100	330	170	185	355	270
150	390	223	235	458	355
200	460	294	286	580	434
250	530	363	321	684	530
300	630	350	382	732	608
400	750	499	419	918	663
450	810	540	429	969	740
500	880	600	503	1103	820
600	1000	760	608	1368	945