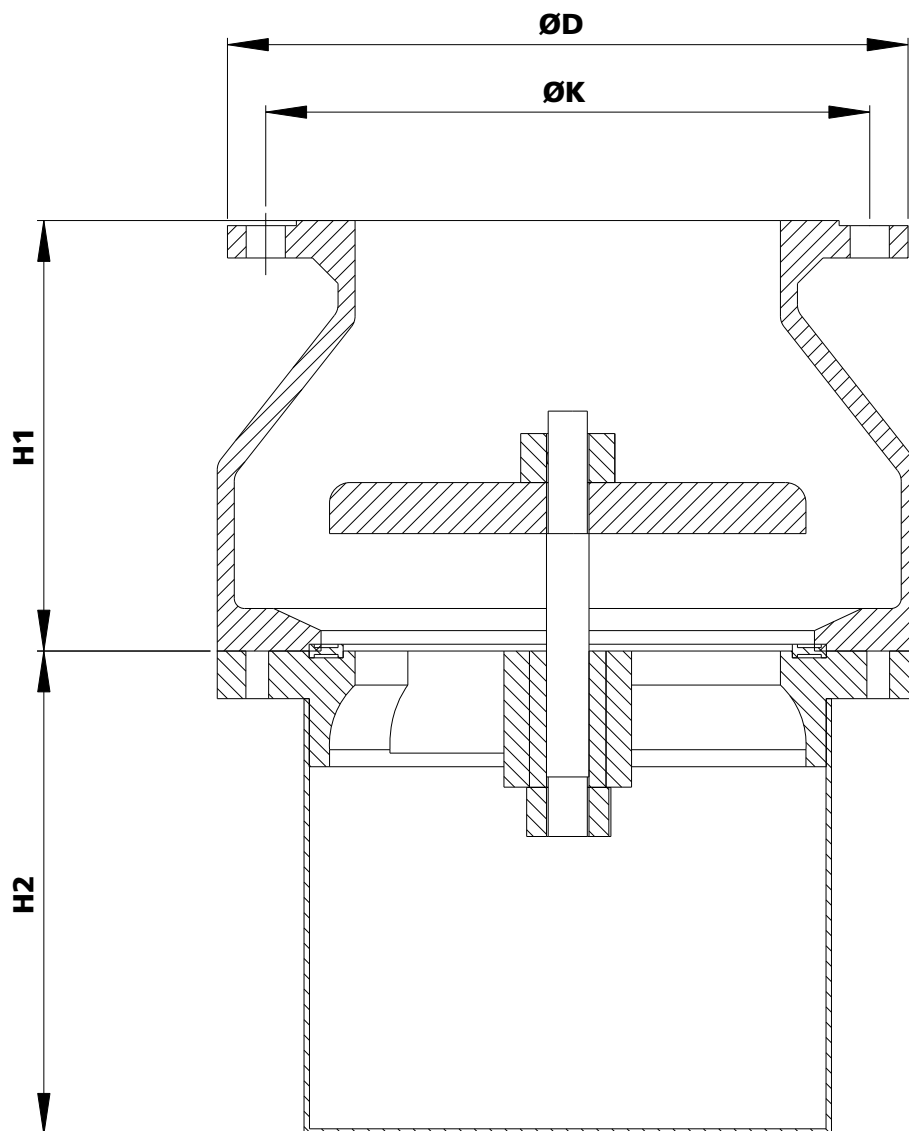


ITEM	PART NO	MATERIAL	DESCRIPTION
1	Body	GGG 50	Ductile Iron
2	Cover	GGG 50	Ductile Iron
3	Disc	St 37	Steel
4	Ring	EPDM	Rubber
5	Strainer	304SS	Stainless Steel
6	Bushing	Rg 5	Bronze
7	Shaft	X20Cr13	Stainless Steel
8	Nut	X20Cr13	Stainless Steel



DN	150	200	250	300	350	400	450	500	600	700	800	900
H1	155	205	255	305	355	405	455	505	605	705	810	910
H2	170	230	290	340	400	460	510	570	680	800	920	1020