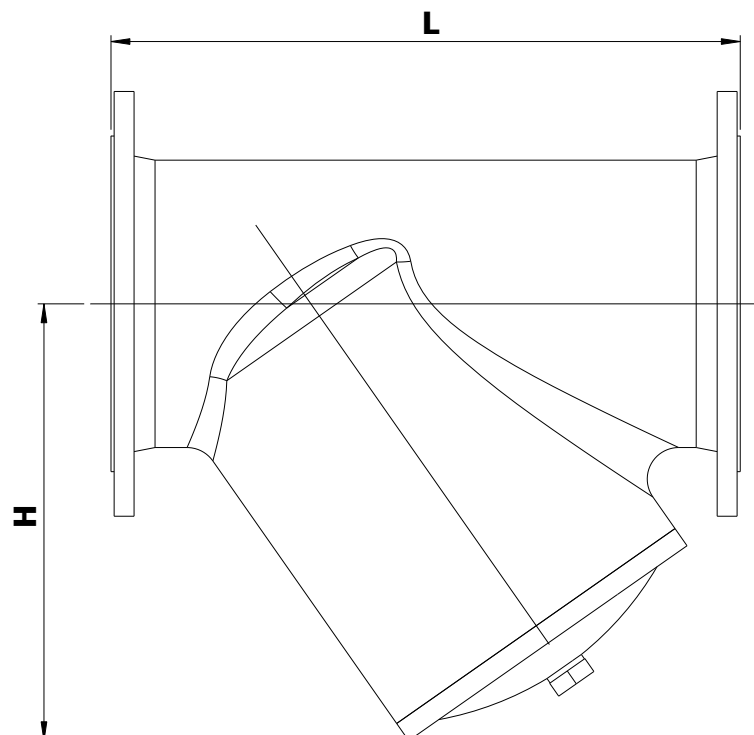
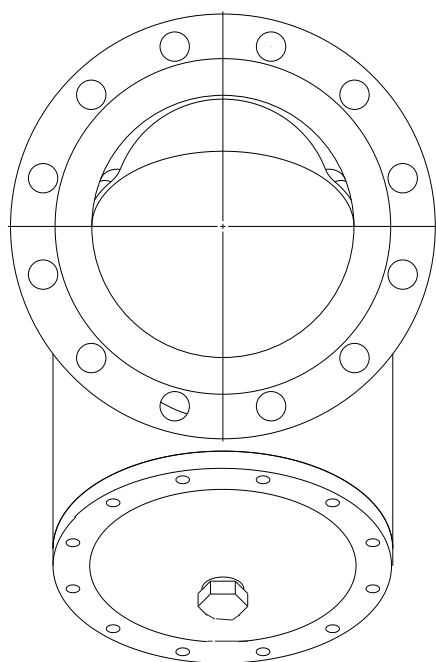


Item No.	Description	Material	Standard	BS Standard	DIN Standard
1	Body	Cast Iron	GG 25	1452-61 Gr. 17	1691 GG-25
		Ductile Iron	GGG 50	2789-73 Gr. 500/7	1693 GGG-50
2	Basket	Stainless Steel	304SS	970/4-70 304 S15	17440 1.4301
		Stainless Steel	316SS	970/4-70 316 S16	17440 1.4401
3	Cover	Cast Iron	GG 25	1452-61 Gr. 17	1691 GG-25
		Ductile Iron	GGG 50	2789-73 Gr. 500/7	1693 GGG-50
4	Drain plug	Stainless Steel	SS A2		
5	O - ring	Rubber	EPDM		
6	Bolt of Cover	Stainless Steel	A2		



DN	L	H	Kg
100	300	210	28
125	350	250	36
150	400	285	50
200	500	365	75
250	600	445	115
300	700	525	165
350	800	605	215
400	900	690	285
450	1000	765	370
500	1100	840	475
600	1300	955	710
700	1500	1160	990
800	1700	1315	1360
900	1900	1475	1780
1000	2100	1630	2280